

Residential ESSENTIALS

Scope

This document provides a limited subset of Electric Service Standards commonly applicable to typical residential service installations. The intent of this packet is to simplify access to the most frequently referenced requirements for residential customers.

Limitations

This packet is not intended to be comprehensive and does not replace the full Electric Service Standards.

Compliance with all applicable local, state, and national electrical codes remains the responsibility of the customer and their contractor.



EVERGY
SERVICE
STANDARDS

DRAWN
DATE

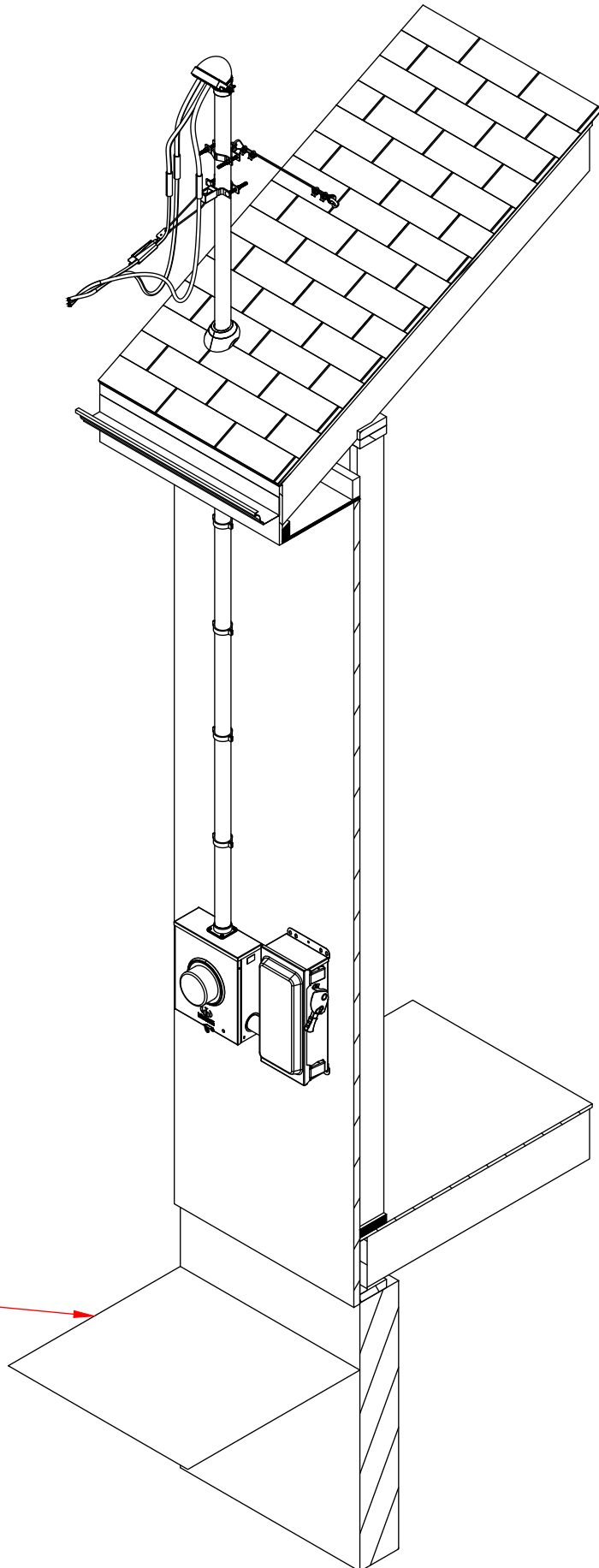
3/17/2026

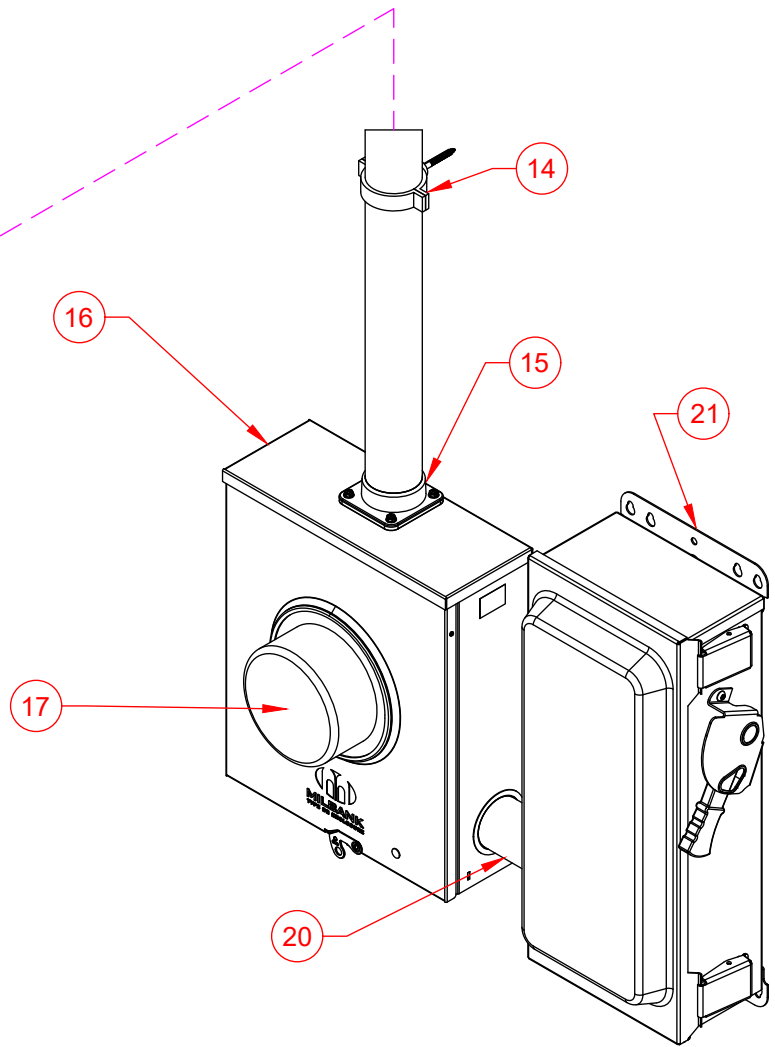
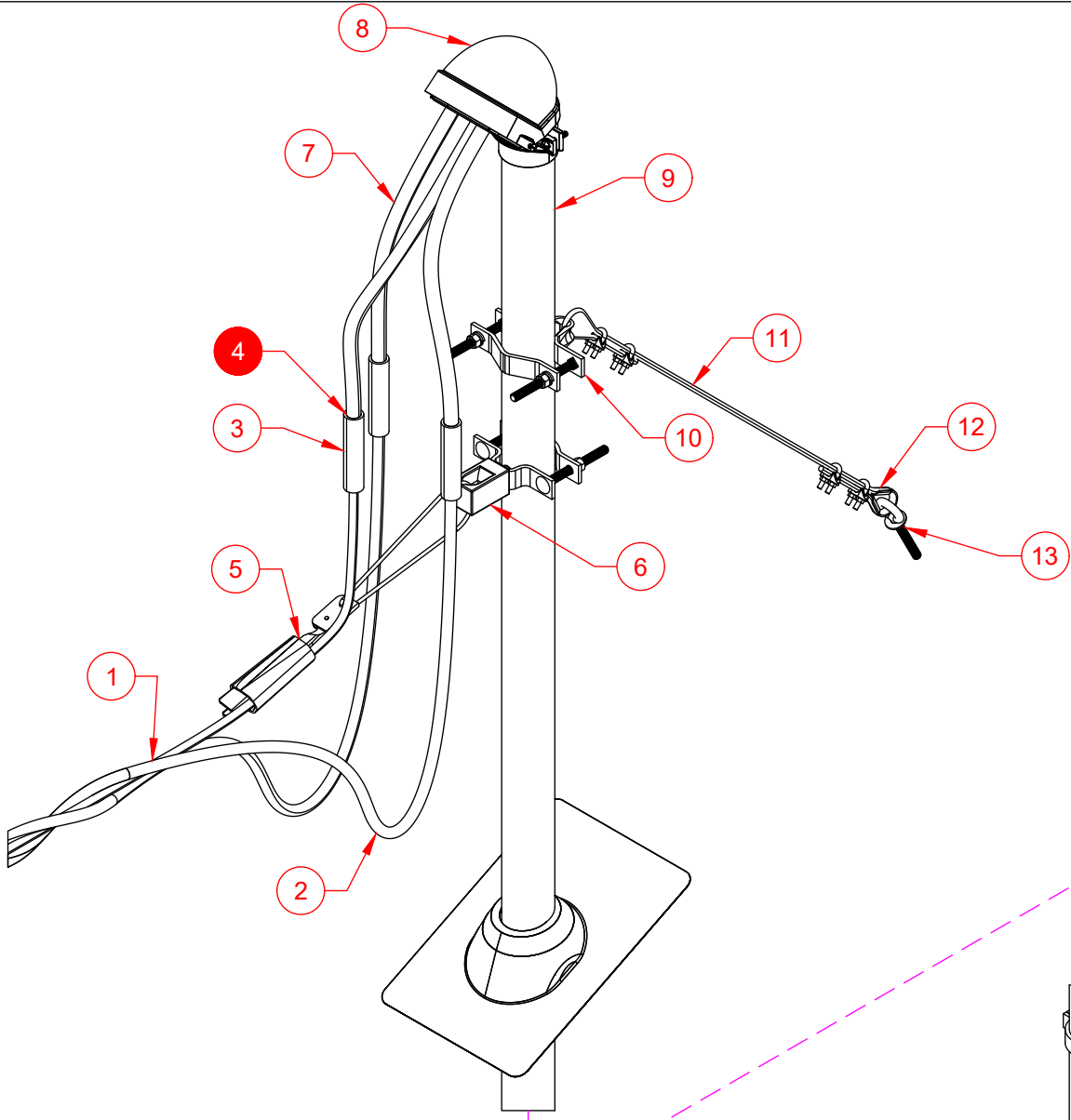
RSS GENERAL
GENERAL
ESSENTIALS PACKET

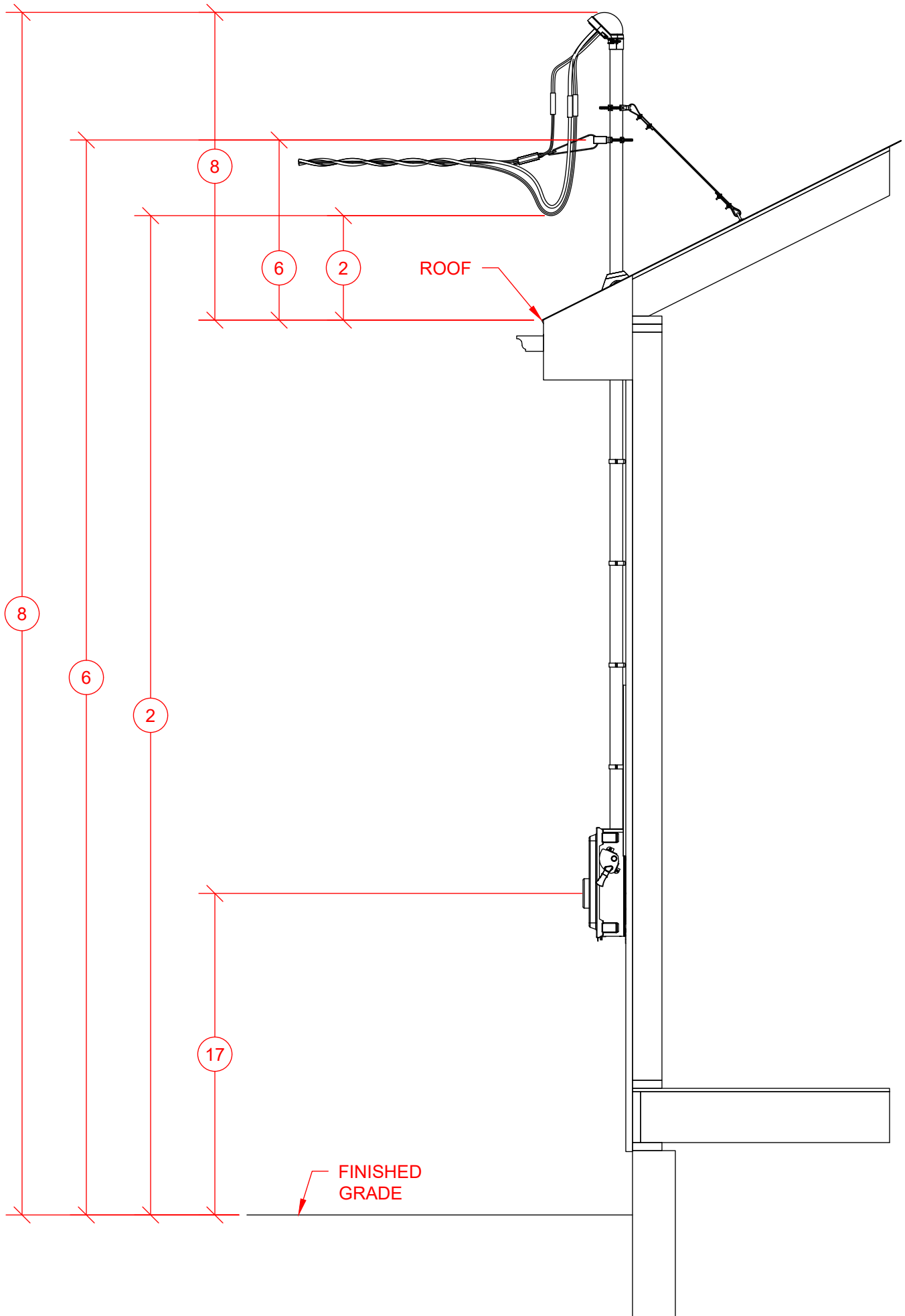
8100.0-001

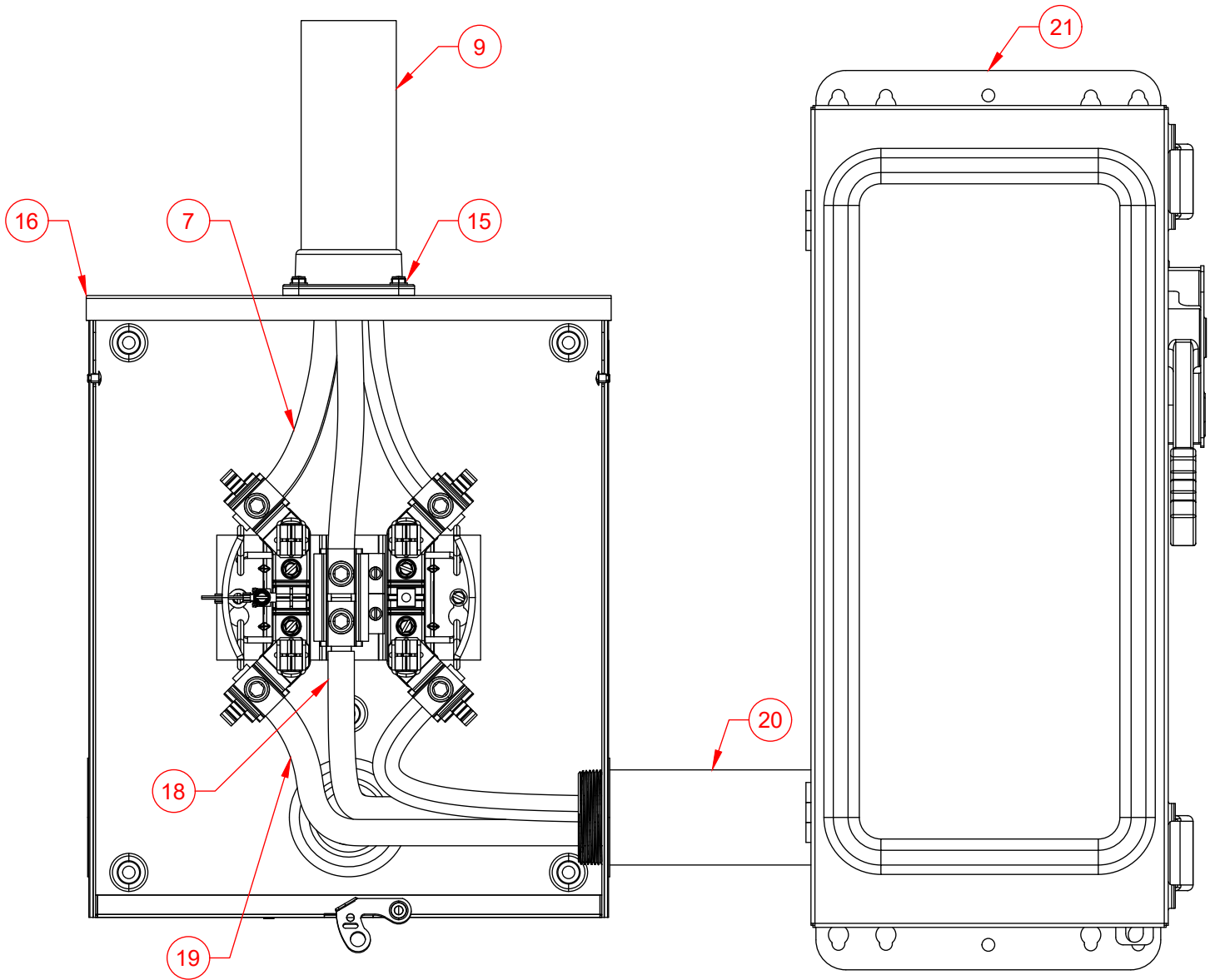
Sheet 1 of 1

FINISHED GRADE

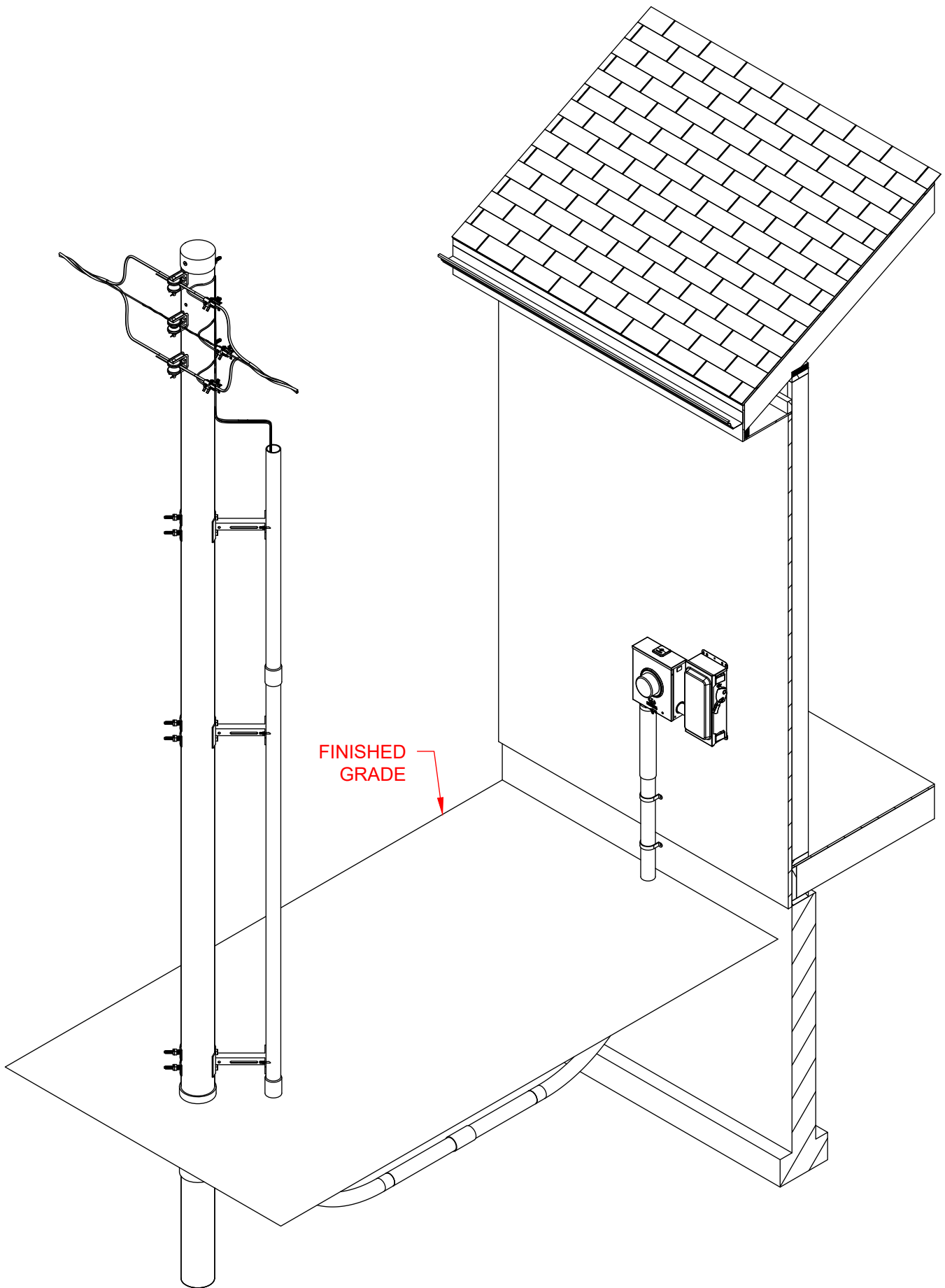


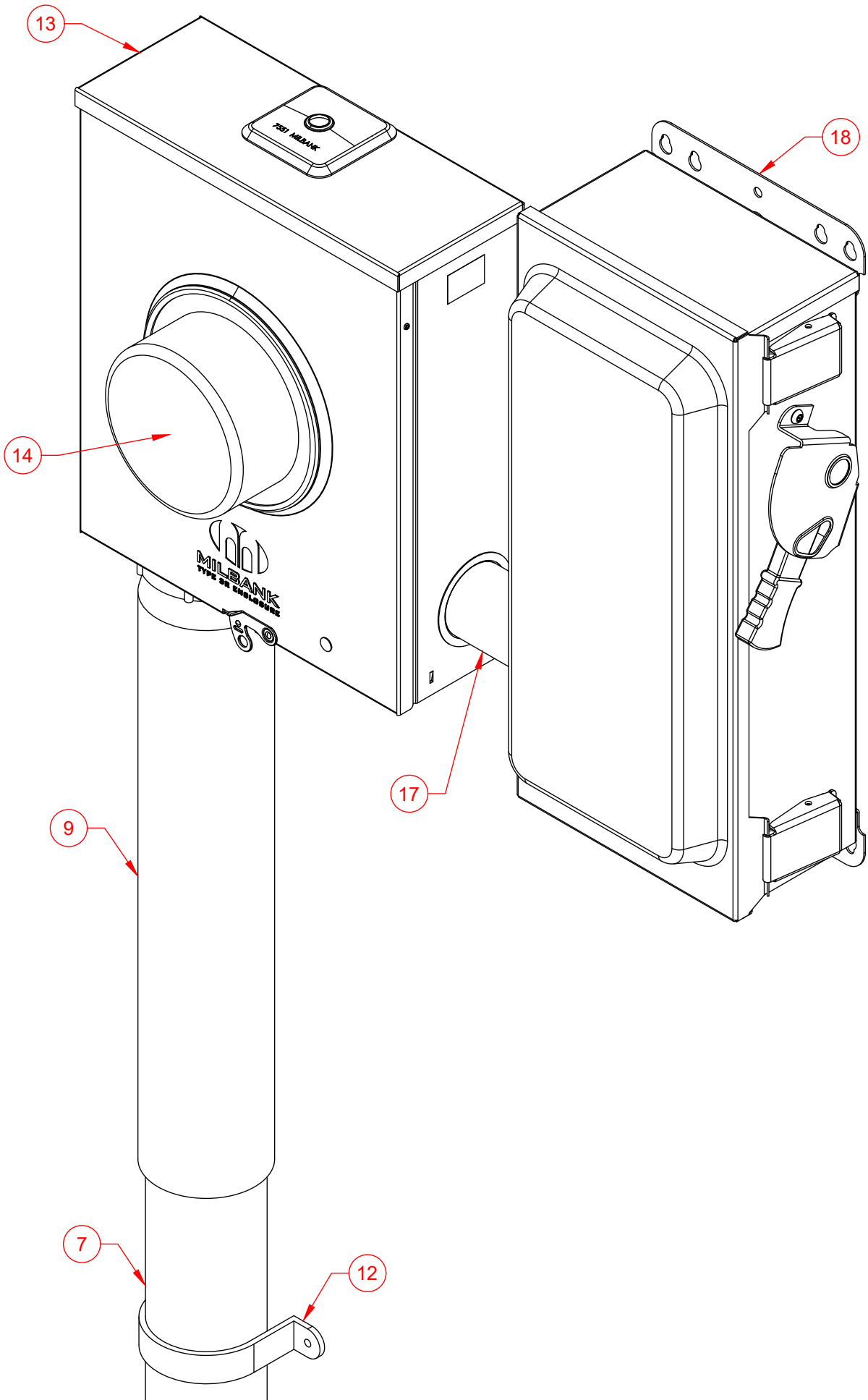






Number	Item	Requirement	Provided By	Installed By	Maintained By
1	Service Drop Triplex		Evergy	Evergy	Evergy
2	Drip Loop	<ul style="list-style-type: none"> • Drip loop to top of finished grade 10' minimum. • Drip loop to roof 1' 6" minimum (when applicable). 	Customer	Customer	Customer
3	Service Point (Point of Delivery) Connection		Evergy	Evergy	Evergy
4	Service Point (Point of Delivery)				
5	Clamp Service Drop		Evergy	Evergy	Evergy
6	Point of Attachment When Guyed	<ul style="list-style-type: none"> • Point of attachment to top of finished grade 12' minimum. • Point of attachment to roof 3' maximum. • Point of Attachment to weatherhead 1' minimum. • Support 900 pounds of tension. • One per service drop. • Shall not be attached to a conduit where a coupling is located above the last point of securement. 	Customer	Customer	Customer
7	Service Conductor		Customer	Customer	Customer
8	Weatherhead	<ul style="list-style-type: none"> • Weatherhead to top of finished grade 18' maximum. • Weatherhead to roof 4' maximum (when applicable). 	Customer	Customer	Customer
9	Conduit Service Conductor		Customer	Customer	Customer
10	Attachment Guy Support	• Guying needs to supplement the 900 pound attachment point rating.	Customer	Customer	Customer
11	Guy Wire		Customer	Customer	Customer
12	Thimble Guy Support		Customer	Customer	Customer
13	Bolt Guy Support		Customer	Customer	Customer
14	Conduit Strap	<ul style="list-style-type: none"> • As Required. • Location and quantity not determined by Evergy. 	Customer	Customer	Customer
15	Meter Socket Hub		Customer	Customer	Customer
16	Meter Socket Single Position 3W	• Bottom of left side and left of bottom side of meter sockets with UG feeds are reserved for Evergy conductors.	Customer	Customer	Customer
17	Evergy Billing Meter 3W	• Top of finished grade to center of meter height must be 4' 6" to 5' 6".	Evergy	Evergy	Evergy
18	Neutral Location				
19	Service Entrance Conductor		Customer	Customer	Customer
20	Conduit Service Entrance Conductor		Customer	Customer	Customer
21	First Means Of Disconnect	<ul style="list-style-type: none"> • FMD for building. • First Place Neutral and ground can bonded together. • Location not determined by Evergy. 	Customer	Customer	Customer





2 1

3

4

5

6

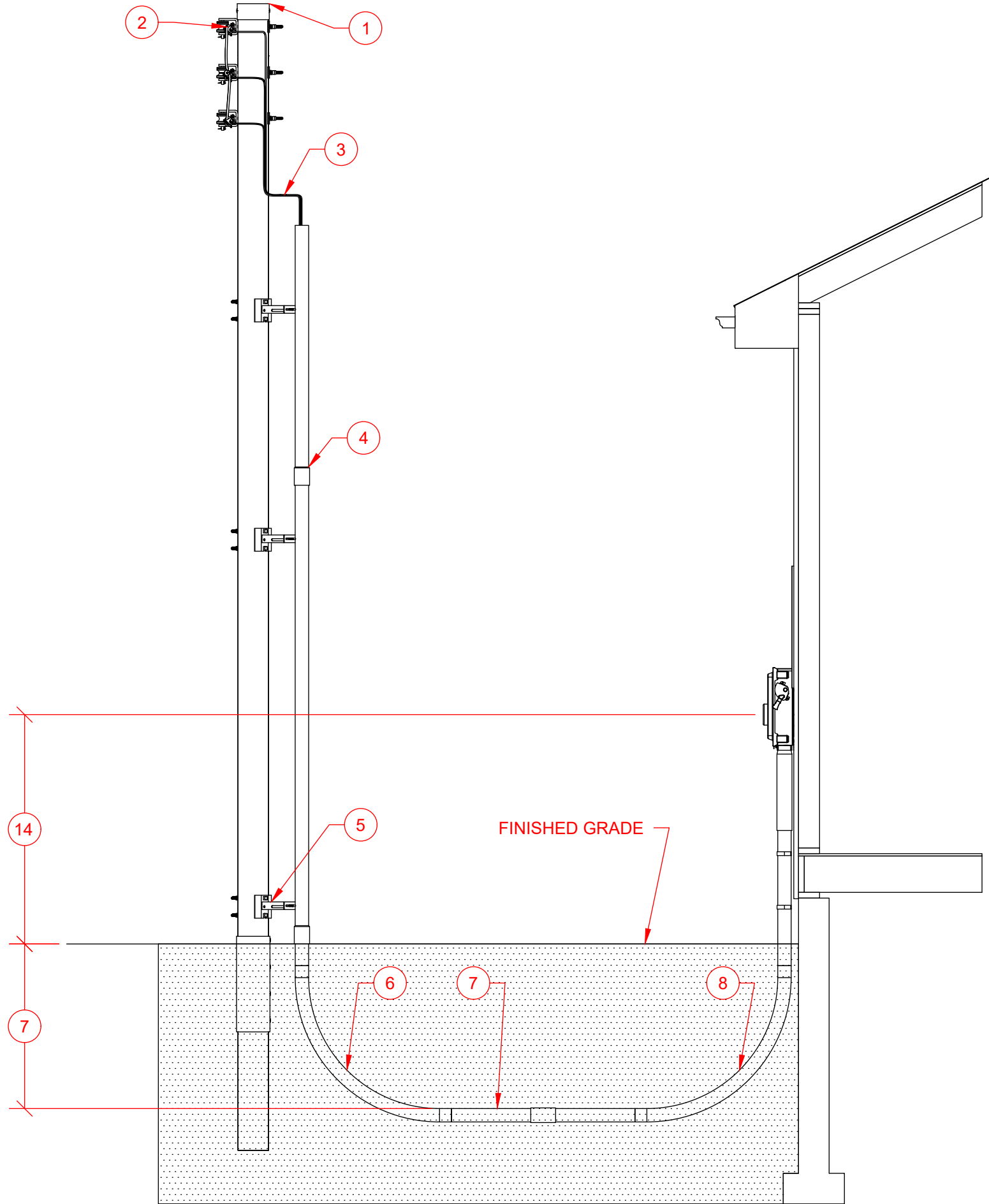
7

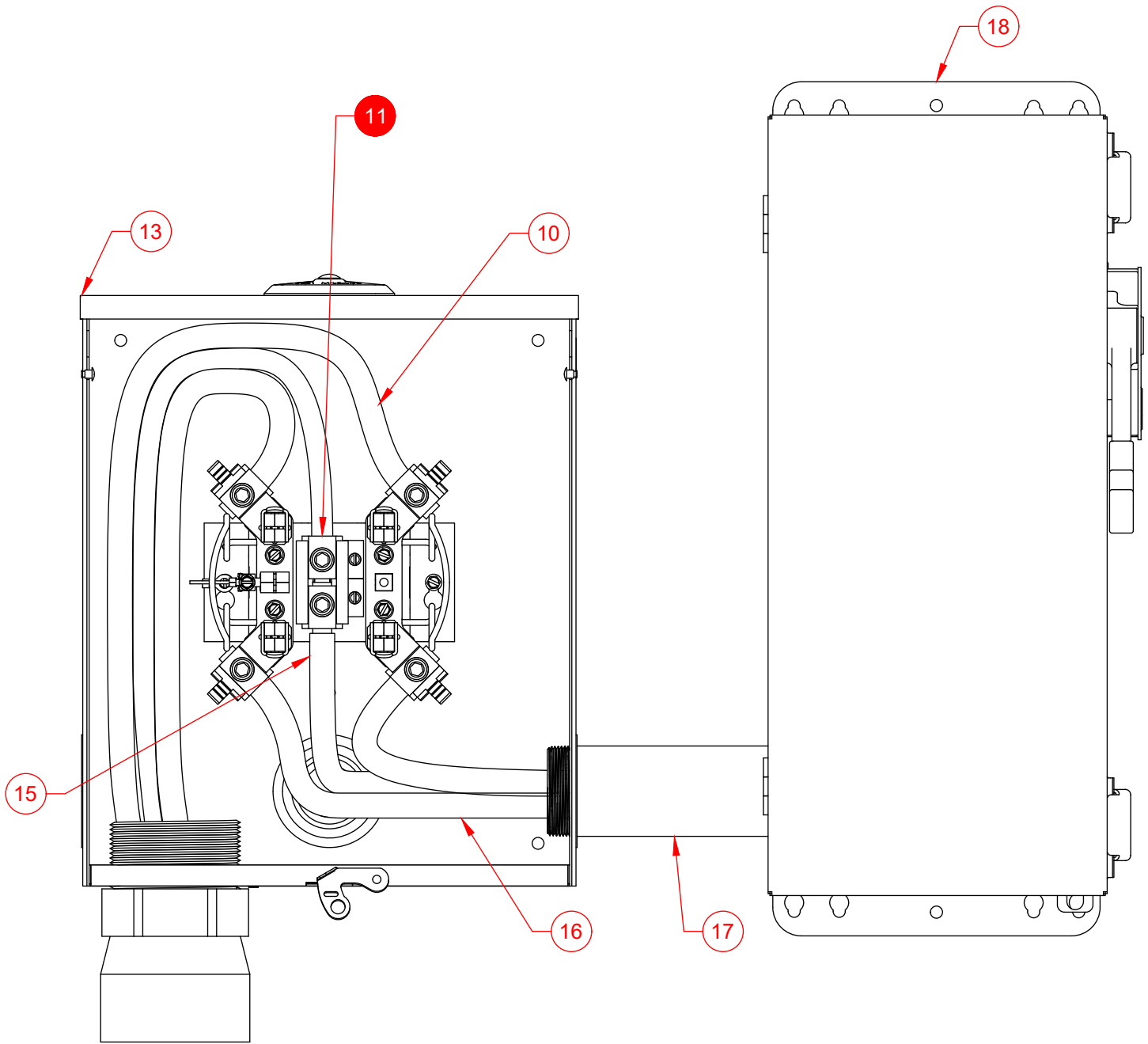
8

14

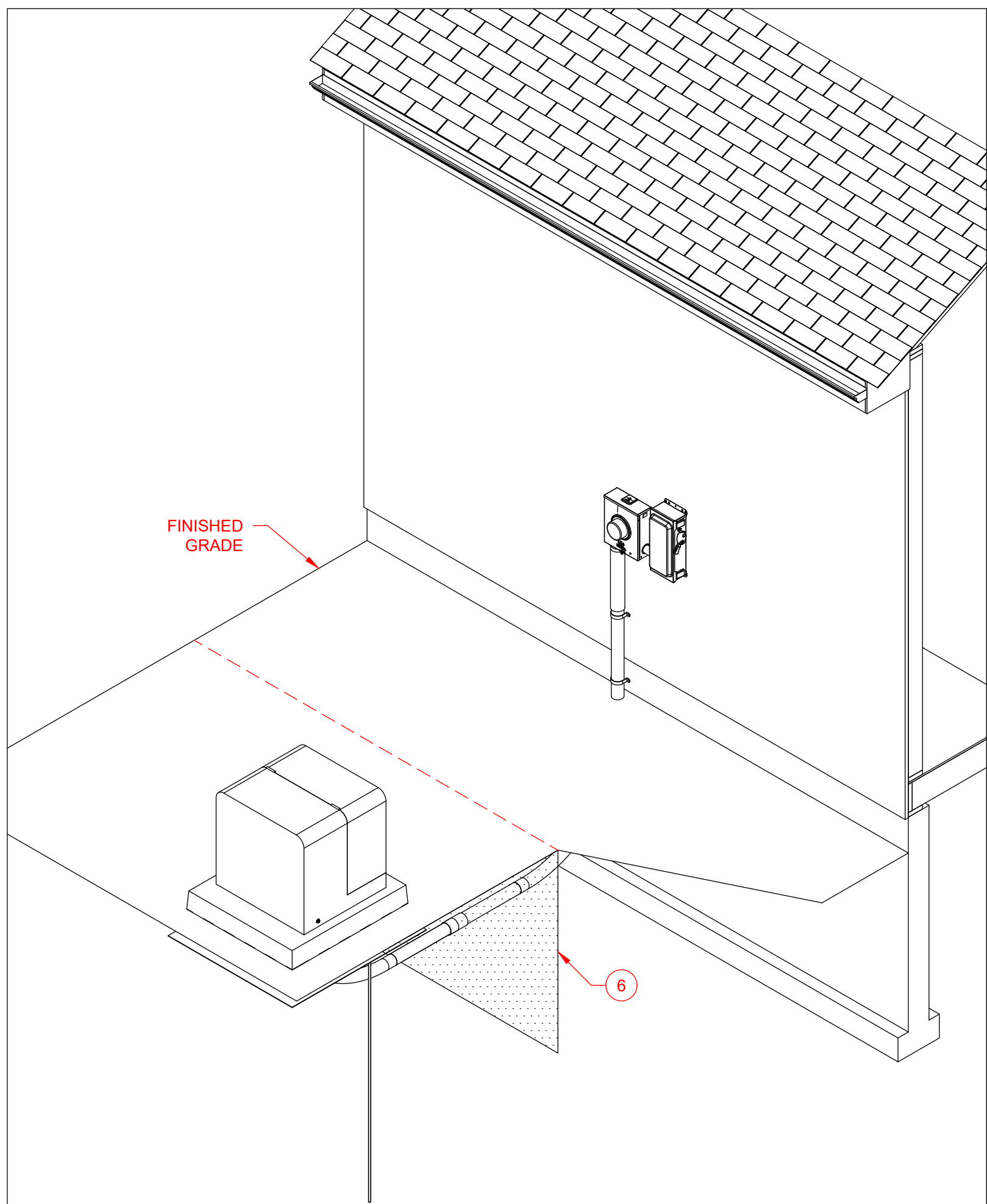
7

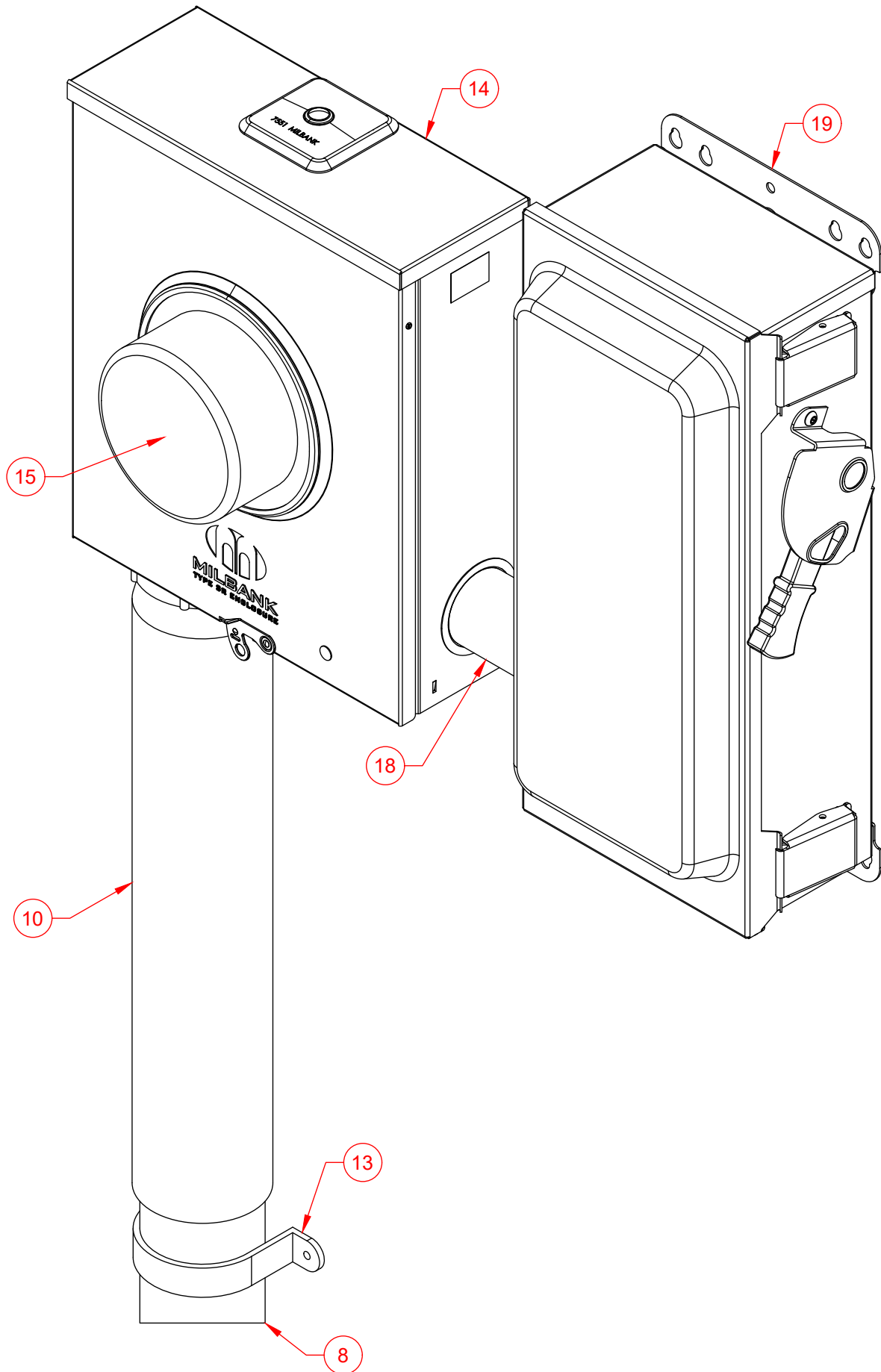
FINISHED GRADE

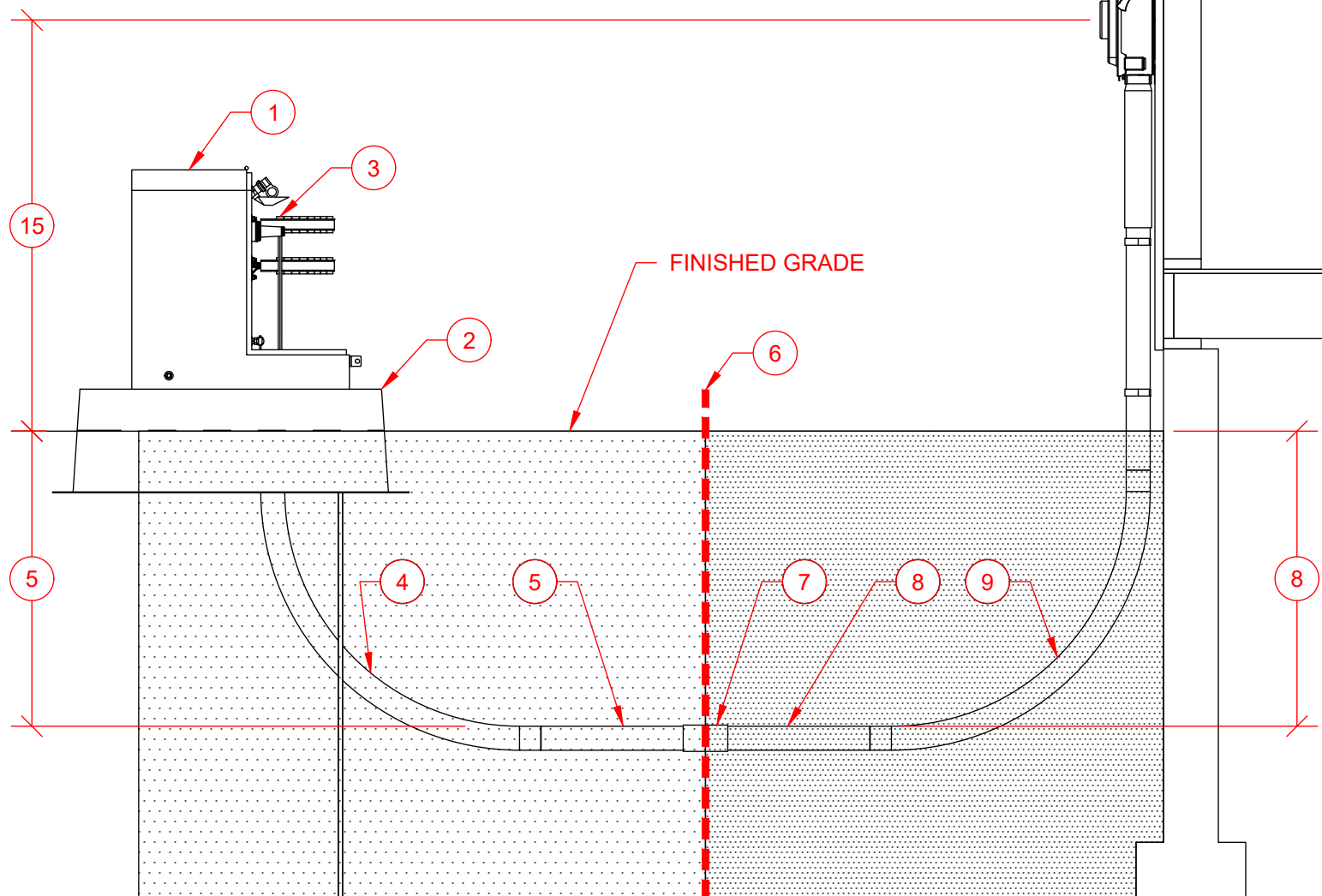


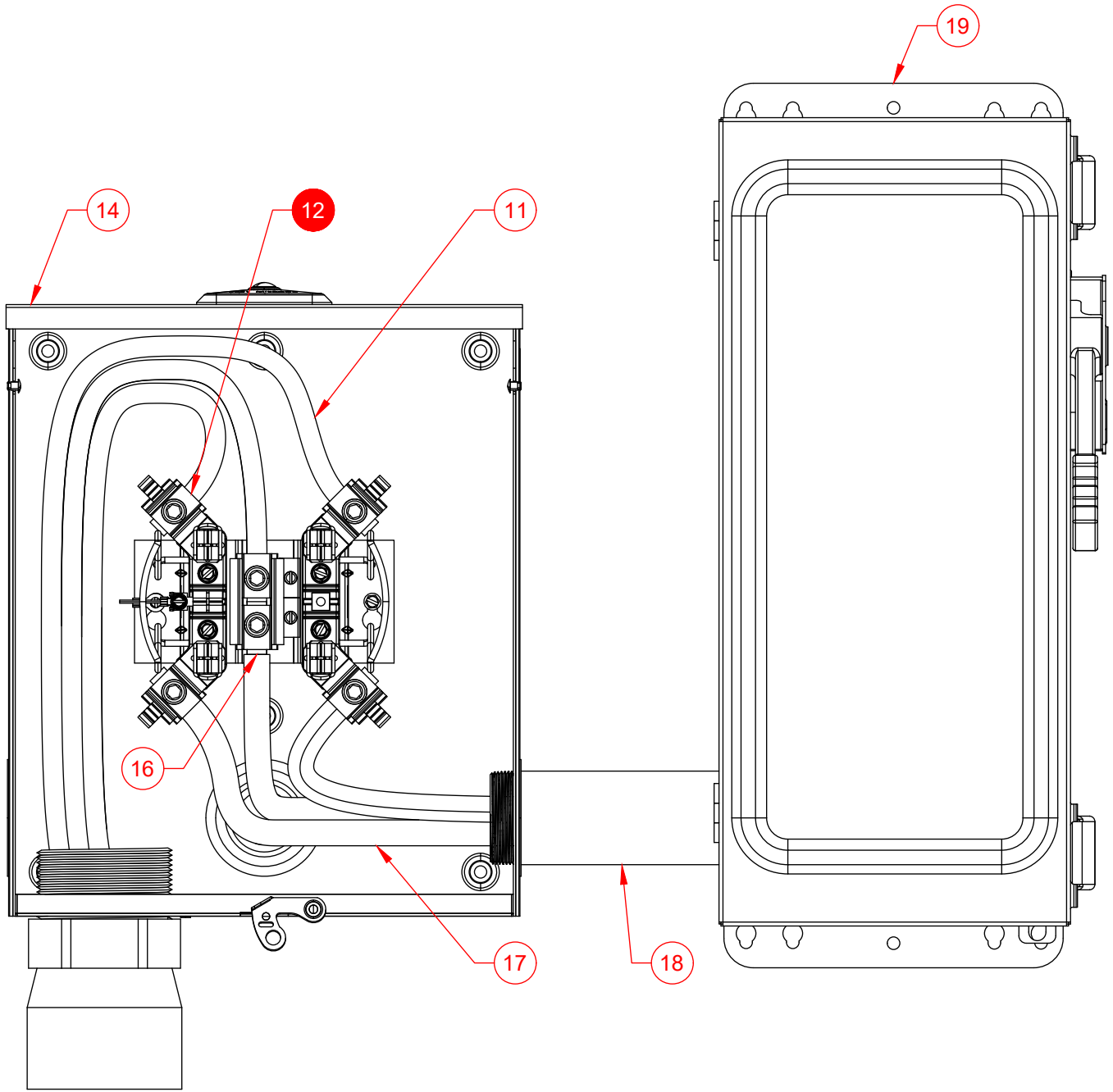


Number	Item	Requirement	Provided By	Installed By	Maintained By
1	Pole		Evergy	Evergy	Evergy
2	Company Connection		Evergy	Evergy	Evergy
3	Service Lateral Riser		Evergy	Evergy	Evergy
4	Conduit Riser	• 3 Inch Schedule 40 PVC.	Customer	Evergy	Evergy
5	Stand Off Conduit	• Conduit mounting provisions will be 7" from face of pole.	Evergy	Evergy	Evergy
6	Conduit Bend 90	• 7" From base of pole on the company determined side. • 3 Inch Schedule 40 PVC. • 36" Bending radius.	Customer	Customer	Customer
7	Conduit	• 3 Inch Schedule 40 PVC. • 30" Minimum to top of conduit.	Customer	Customer	Customer
8	Conduit Bend 90	• 3 Inch Schedule 40 PVC.	Customer	Customer	Customer
9	Conduit Slip Riser		Customer	Customer	Customer
10	Service Lateral		Evergy	Evergy	Evergy
11	Service Point (Point of Delivery)				
12	Conduit Strap	• As Required. • Location and quantity not determined by Evergy.	Customer	Customer	Customer
13	Meter Socket Single Position 3W	• Bottom of left side and left of bottom side of meter sockets with UG feeds are reserved for Evergy conductors.	Customer	Customer	Customer
14	Evergy Billing Meter 3W	• Top of finished grade to center of meter height must be 4' 6" to 5' 6".	Evergy	Evergy	Evergy
15	Neutral Location				
16	Service Entrance Conductor		Customer	Customer	Customer
17	Conduit Service Entrance Conductor		Customer	Customer	Customer
18	First Means Of Disconnect	• FMD for building. • First Place Neutral and ground can bonded together. • Location not determined by Evergy.	Customer	Customer	Customer









Number	Item	Requirement	Provided By	Installed By	Maintained By
1	Transformer Single Phase Padmount		Everg	Everg	Everg
2	Foundation Single Phase Padmount	• Refer to 9550.57 to verify the requirements.			
3	Company Connection		Everg	Everg	Everg
4	Conduit Bend 90	• Existing Pedestal/Padmount with stub.	Existing	Existing	Everg
4	Conduit Bend 90	• Existing Pedestal/Padmount without stub: Everg will install a service stub-out to a Company-selected location for customer connection. • 3 Inch Schedule 40 PVC. • 36" Bending radius.	Customer	Everg	Everg
4	Conduit Bend 90	• New Pedestal/Padmount: Customer must provide service stub-outs for all anticipated conduits, oriented toward the projected conduit path and end at company selected location. • 3 Inch Schedule 40 PVC. • 36" Bending radius.	Customer	Customer	Everg
5	Conduit	• Existing Pedestal/Padmount with stub.	Existing	Existing	Everg
5	Conduit	• Existing Pedestal/Padmount without stub: Everg will install a service stub-out to a Company-selected location for customer connection. • 3 Inch Schedule 40 PVC. • 30" Minimum to top of conduit.	Customer	Everg	Everg
5	Conduit	• New Pedestal/Padmount: Customer must provide service stub-outs for all anticipated conduits, oriented toward the projected conduit path and end at company selected location. • 3 Inch Schedule 40 PVC. • 30" Minimum to top of conduit.	Customer	Customer	Everg
6	End of Stubout	• Customer provides to company selected location.			
7	Conduit Coupling	• 3" Schedule 40 PVC.	Customer	Customer	Customer
8	Conduit	• 3 Inch Schedule 40 PVC. • 30" Minimum to top of conduit.	Customer	Customer	Customer
9	Conduit Bend 90	• 3 Inch Schedule 40 PVC.	Customer	Customer	Customer
10	Conduit Slip Riser		Customer	Customer	Customer
11	Service Lateral		Everg	Everg	Everg
12	Service Point (Point of Delivery)				
13	Conduit Strap	• As Required. • Location and quantity not determined by Everg.	Customer	Customer	Customer
14	Meter Socket Single Position 3W	• Bottom of left side and left of bottom side of meter sockets with UG feeds are reserved for Everg conductors.	Customer	Customer	Customer
15	Everg Billing Meter 3W	• Top of finished grade to center of meter height must be 4' 6" to 5' 6".	Everg	Everg	Everg
16	Neutral Location				
17	Service Entrance Conductor		Customer	Customer	Customer
18	Conduit Service Entrance Conductor		Customer	Customer	Customer
19	First Means Of Disconnect	• FMD for building. • First Place Neutral and ground can bonded together. • Location not determined by Everg.	Customer	Customer	Customer



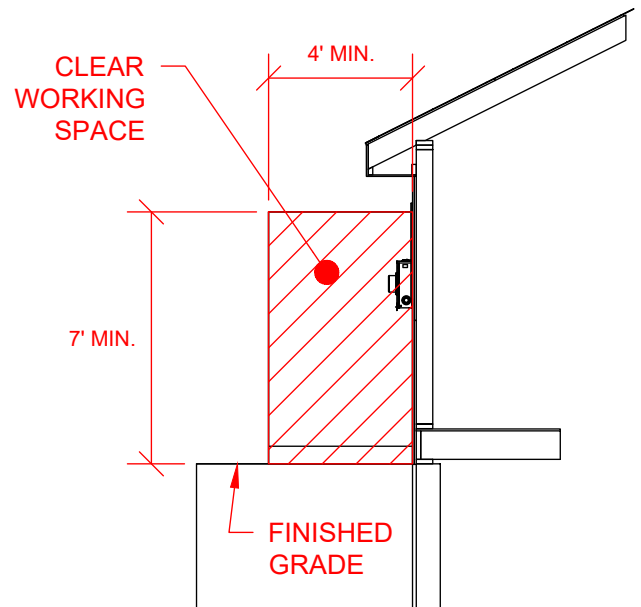
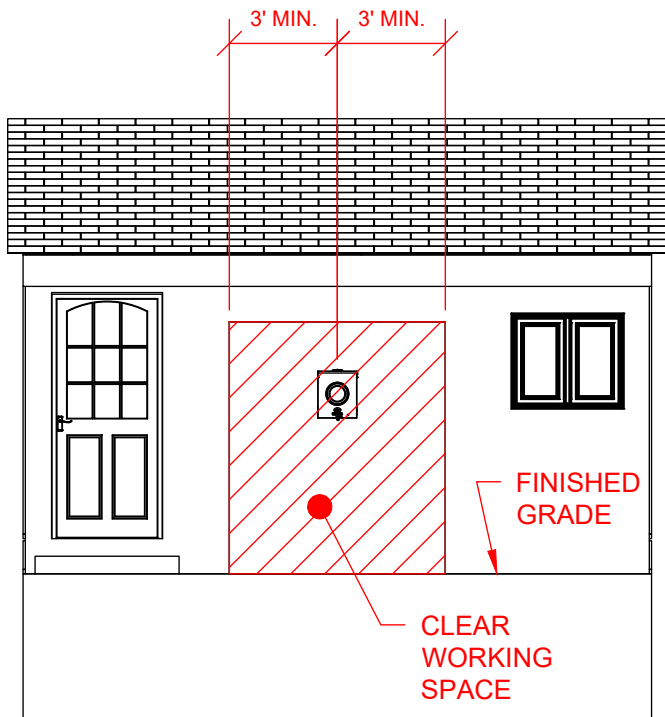
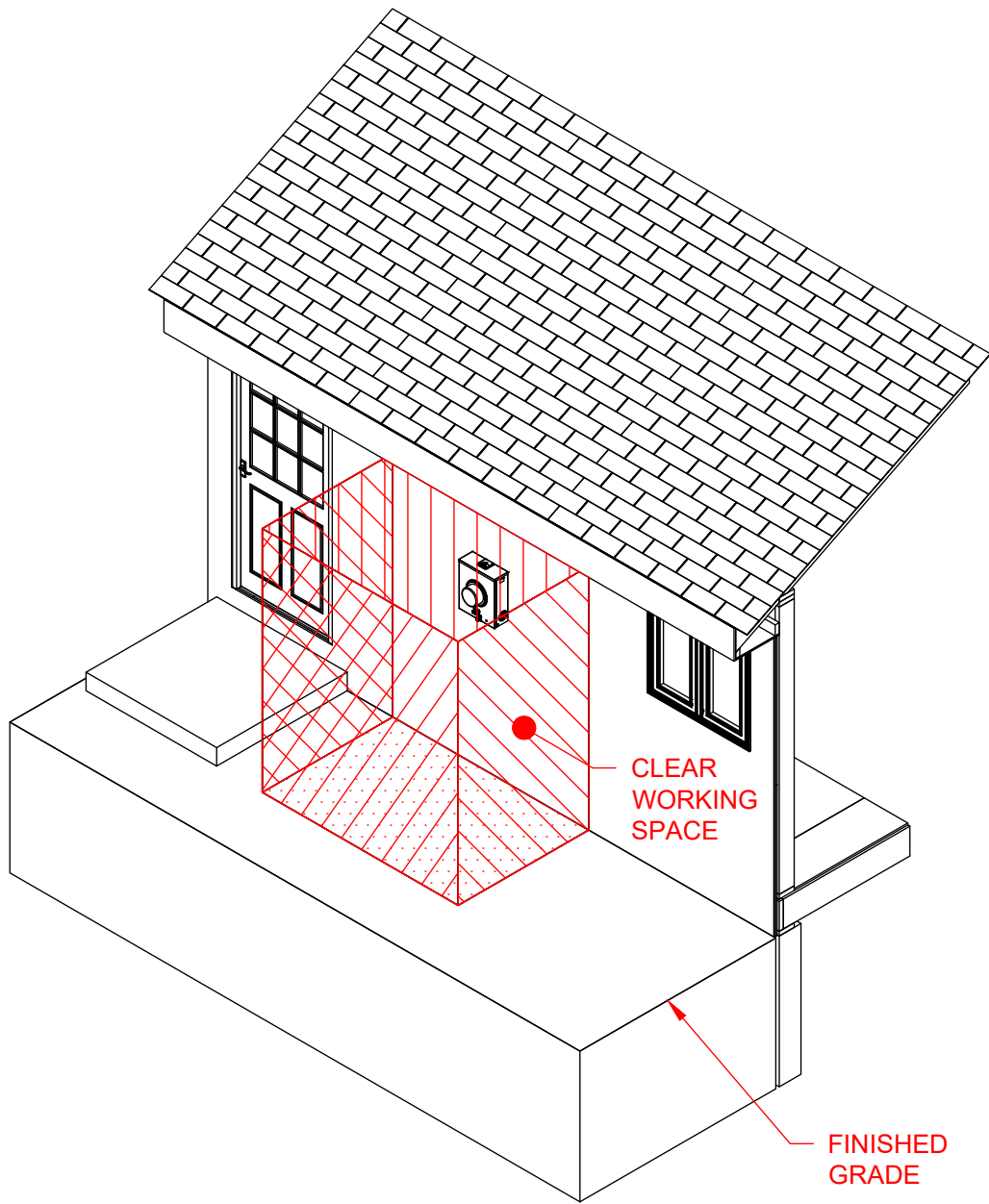
EVERGY
SERVICE
STANDARDS

DRAWN
DATE
4/7/2026

RSFU DWELLING MOUNTED FROM PADMOUNT
SINGLE CAN, SINGLE POSITION
3W 120/240, 200 AMP

8123.10-032

Sheet 5 of 5



General Conduit Installation

Scope

This document outlines the general conduit installation requirements.

Pre-Installation Requirements

- Customers must contact utility one-call before trenching.
- The Company must be notified when digging occurs near Company equipment.
- Conduit installation requires Company approval prior to backfill; trenches must remain open until approved. The Company reserves the right to inspect all conduits installation.
- Improper installation must be corrected at the expense of the Customer/Developer.
- Relocation of Company facilities after installation is at the expense of the Customer/Developer.

Material Requirements

- Conduit must be NEMA TC-2 and NEC approved:
 - UL listed rigid schedule 40 gray PVC
 - HDPE (high density polyethylene) schedule 40 or SDR 13.5 black with red stripe
 - These requirements also apply to riser conduits.
- PVC elbows must be 36" radius for all service bends.
- PVC joints must be glued with PVC cement; HDPE joints require proper fittings.
 - Bands, clamps, or pre glued PVC under tension are not allowed.
 - Pre-glued PVC prior to installation or pulled/plowed under tension will not be accepted.
 - PVC couplers or bell joints must be adhered using an HDPE-rated epoxy.
 - Couplers must be fully glued on with epoxy per manufacturer instructions. Mechanical fastening alone is not permitted.

Installation Practices

- Open conduit ends must be capped or taped closed to prevent debris and wildlife entry.
- Backfill must be clean, tamped, and handled carefully to avoid conduit damage.
 - Backfill shall include dome top for settling or compaction to 95% maximum density (Proctor–ASTM D698).
 - Backfill must not contain rocks larger than 3" in their greatest dimension.
- Red danger tape must be installed 6"–12" below final grade.


Conduit Placement Requirements

- Conduit must be located where it is subject to the least disturbance.
- Electrical conduit shall be installed to maintain minimum radial clearance from other underground utilities as follows:
 - 18 inches from any utility owned non-gas conduit systems (e.g., communications, water, or fiber).
 - 24 inches from utility owned gas facilities.
 - 30 inches from non-utility owned systems.
- Electrical conduit shall not be installed directly above, directly below, or parallel to other cables, conduit systems, or underground facilities.
 - Where unavoidable, electrical conduit may cross over or under existing utility facilities, provided the vertical separation at the crossing maintains the required minimum radial clearance.
- Cables must not be installed directly under buildings, storage tanks, or foundations unless approved by the Company.

- If necessary, the distance between the top of conduit and the surface above must exceed the Company's minimum required depths to be sufficient to protect from expected surface loading.

Environmental and Site Considerations

- In areas prone to flooding or high-water tables, additional protection may be required:
 - Watertight conduit
 - Elevated junction boxes
 - Other measures per NEC Article 300 and local codes
- Installations must consider soil conditions, water exposure, and potential future surface use to ensure conduit protection.

	EVERGY SERVICE STANDARDS	DRAWN DATE 4/9/2026	PFD CONDUIT GENERAL APPLICATION	9520.0-000 Sheet 2 of 2
--	--------------------------------	---------------------------	---------------------------------------	-----------------------------------

Service Conduit Installation

Scope

This document outlines the general requirements and parameters for service conduit installation within Evergy's service territory.

Installation Requirements

Materials and Construction

- Maximum conduit runs – 135'

Depth and Alignment

- Minimum depth – 30" to top of conduit.
- Depths must be met at final grade after settling.
- Runs should be straight where possible; maximum four bends per run (two vertical 90° bends and horizontal bends summing up to 90°).

Sizing and Approved Materials

- Slip joints are required for meter risers.
- Service conduit sizes:

Minimum Service Conduit Requirements		
Service Entrance Size ₁	3-Wire, 1 Phase	
	Quantity	Minimum Size (inches) ₂
200 Amp	1	3
400 Amp	1	3
600 Amp	2	3
800 Amp	2	3

1. For sizes not listed above contact a Company Representative.
2. These service conduit sizes are for residential services. In commercial applications the customer should verify cable and conduit comply with local code and NEC.

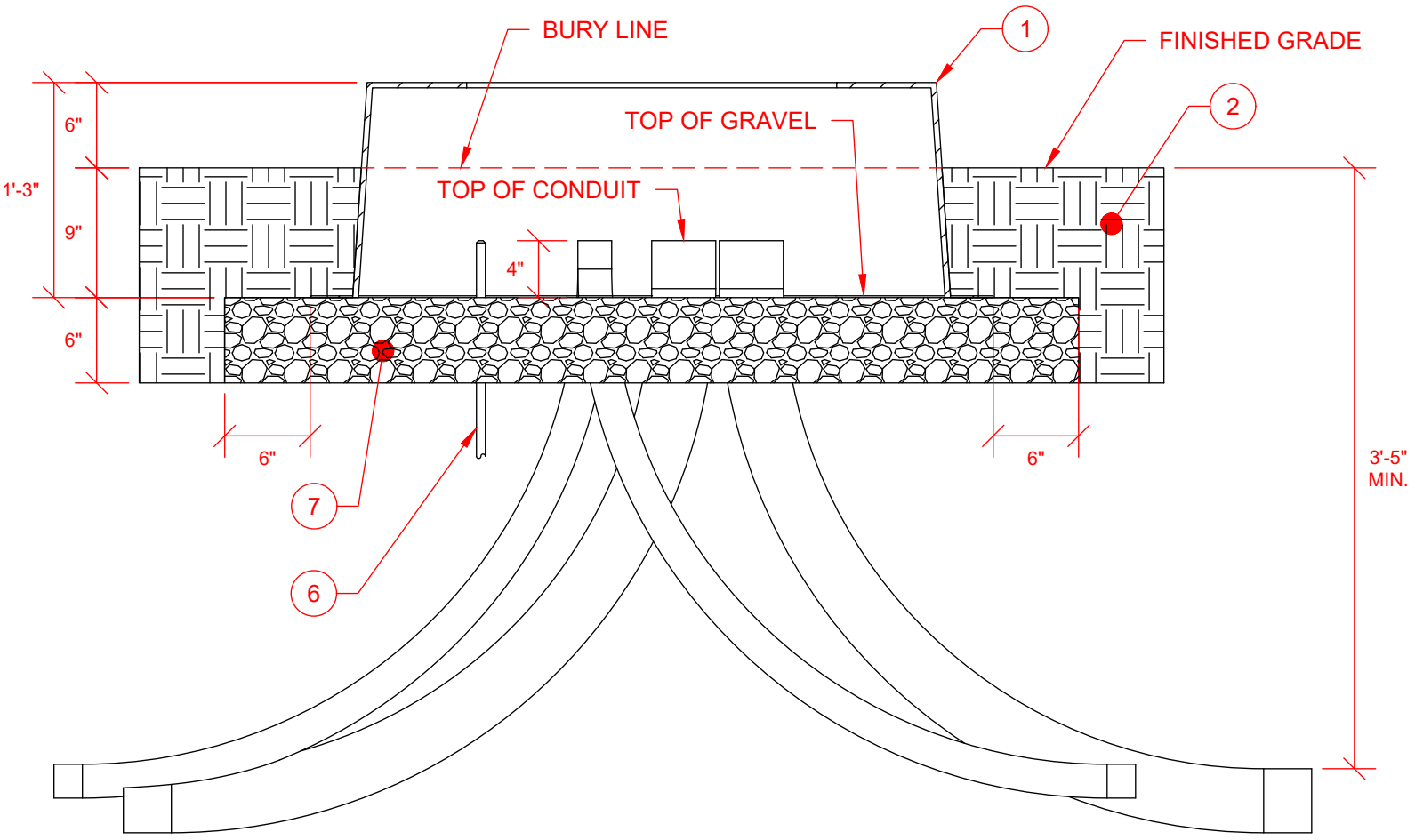
Stubouts

New Pedestal or Transformer Padmount Installation

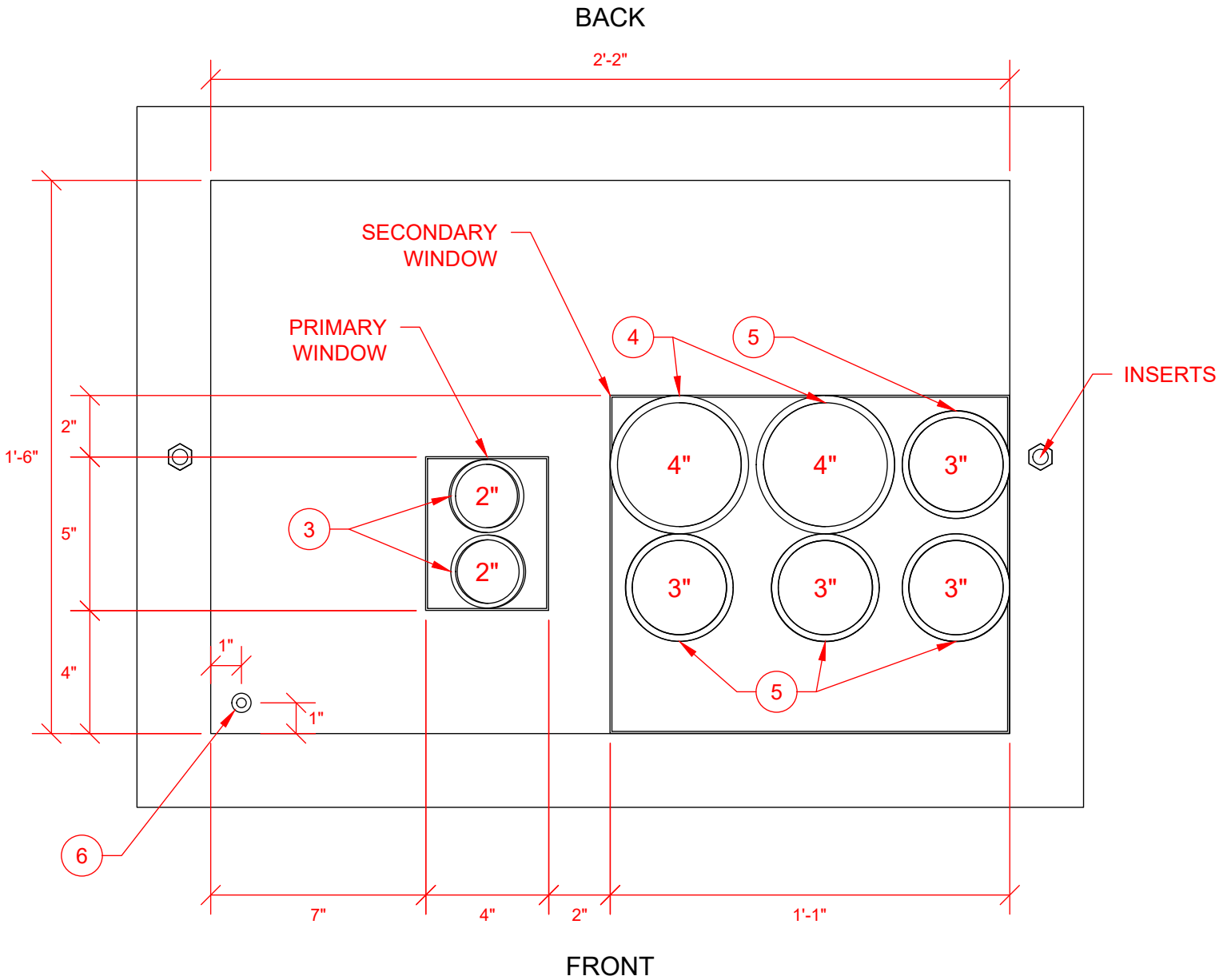
When a customer installs a new pedestal or padmount for setting a transformer, the customer is responsible for providing and installing stub-outs for all anticipated conduits to the Company selected location. Stub-outs must be oriented toward the projected conduit path and meet Company specifications for size and location.

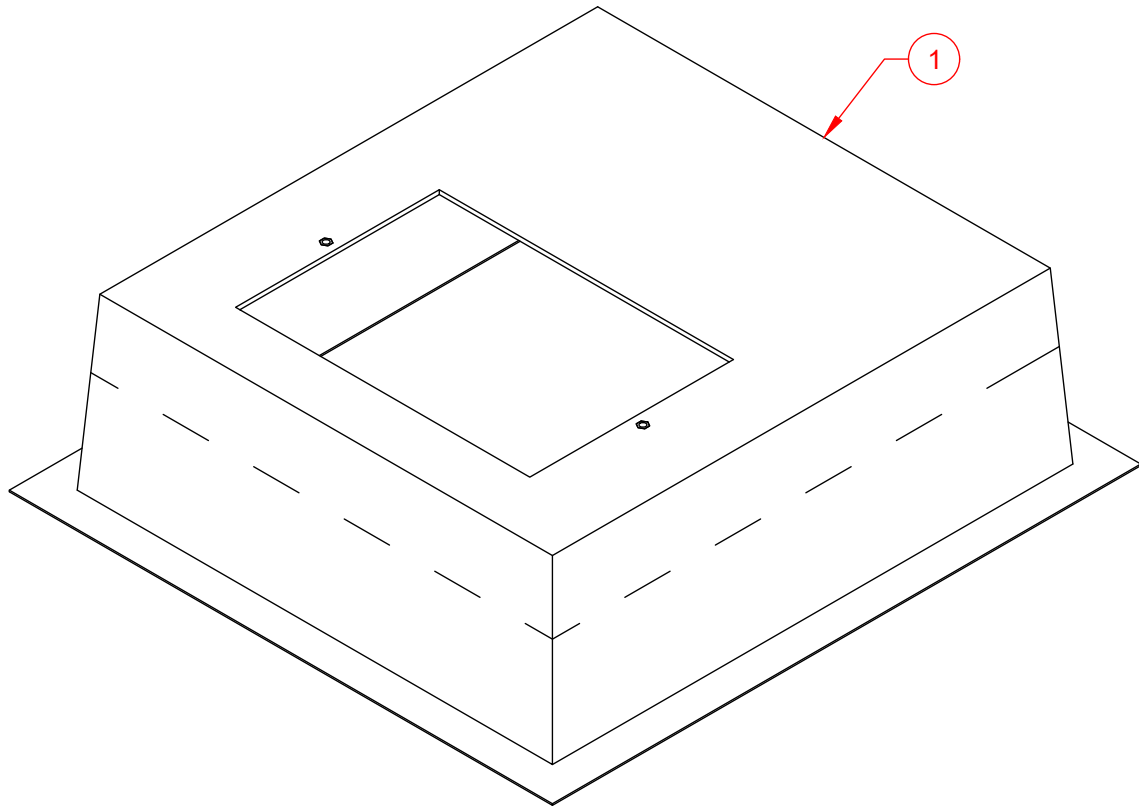
Existing Pedestal or Transformer Padmount

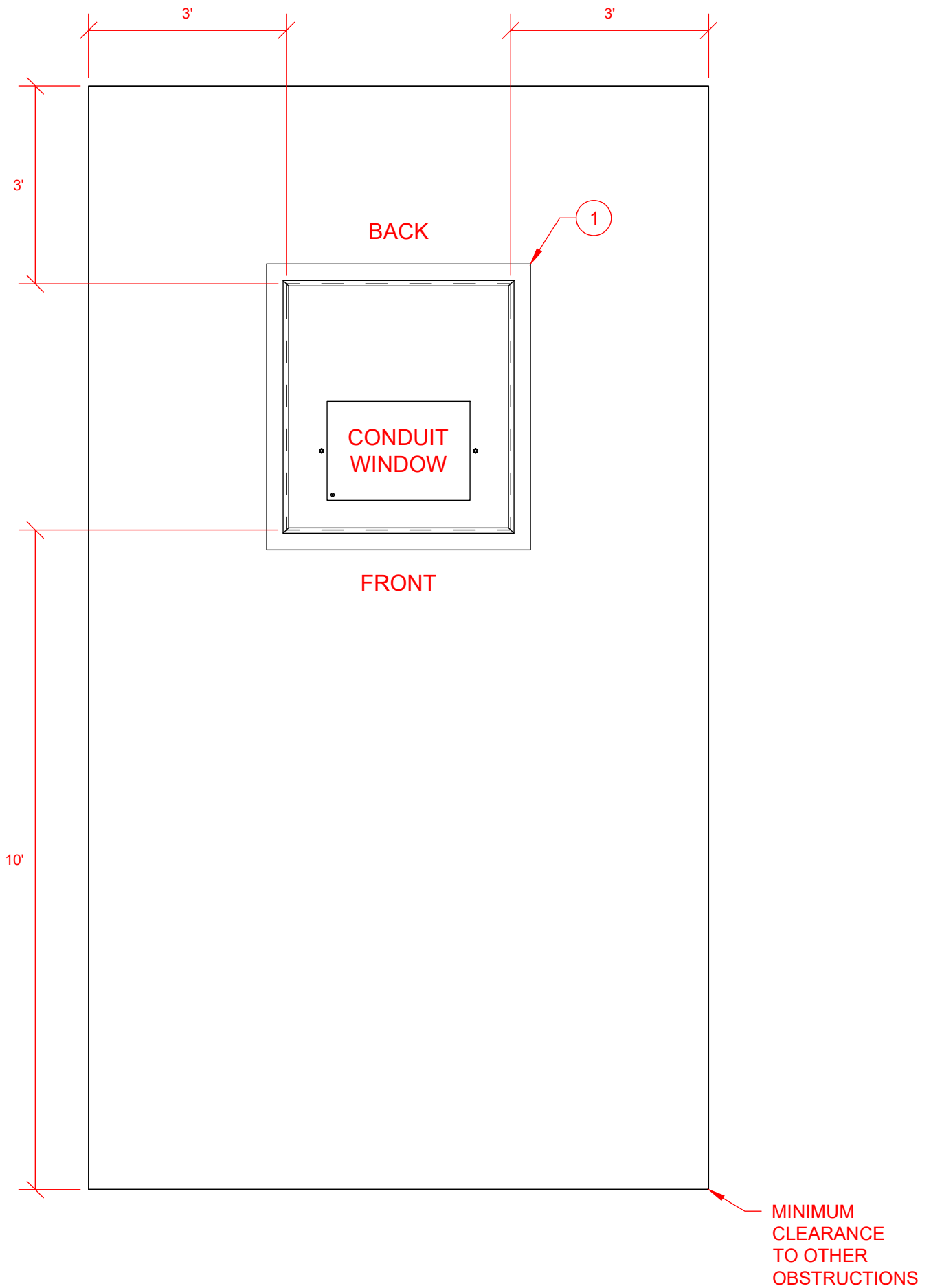
For pedestals or transformer padmounts already installed by the Company, the Company will install a customer-provided stub-out at a Company selected location. The customer shall connect to this stub-out in accordance with Company requirements.



CONDUIT WINDOW

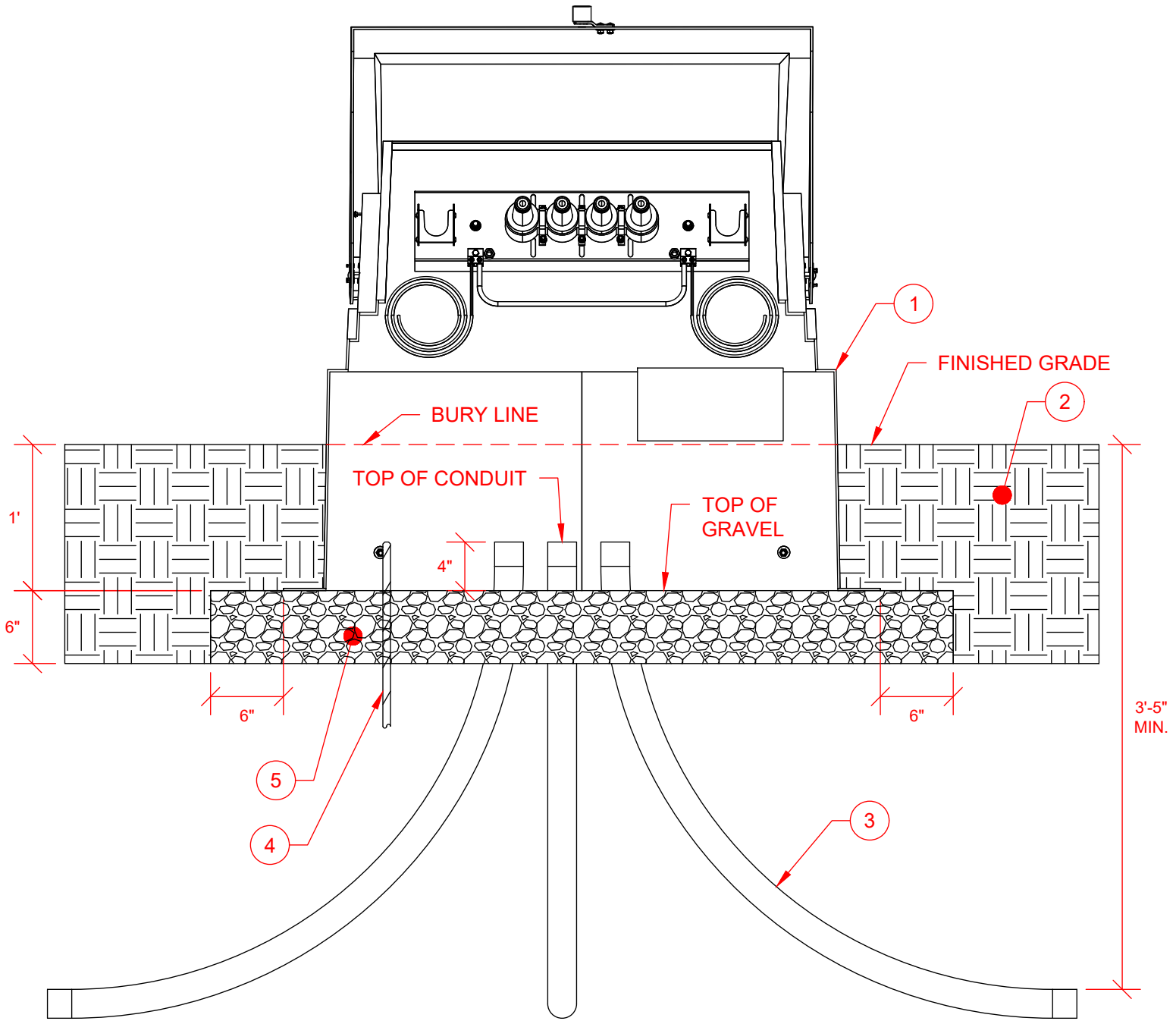






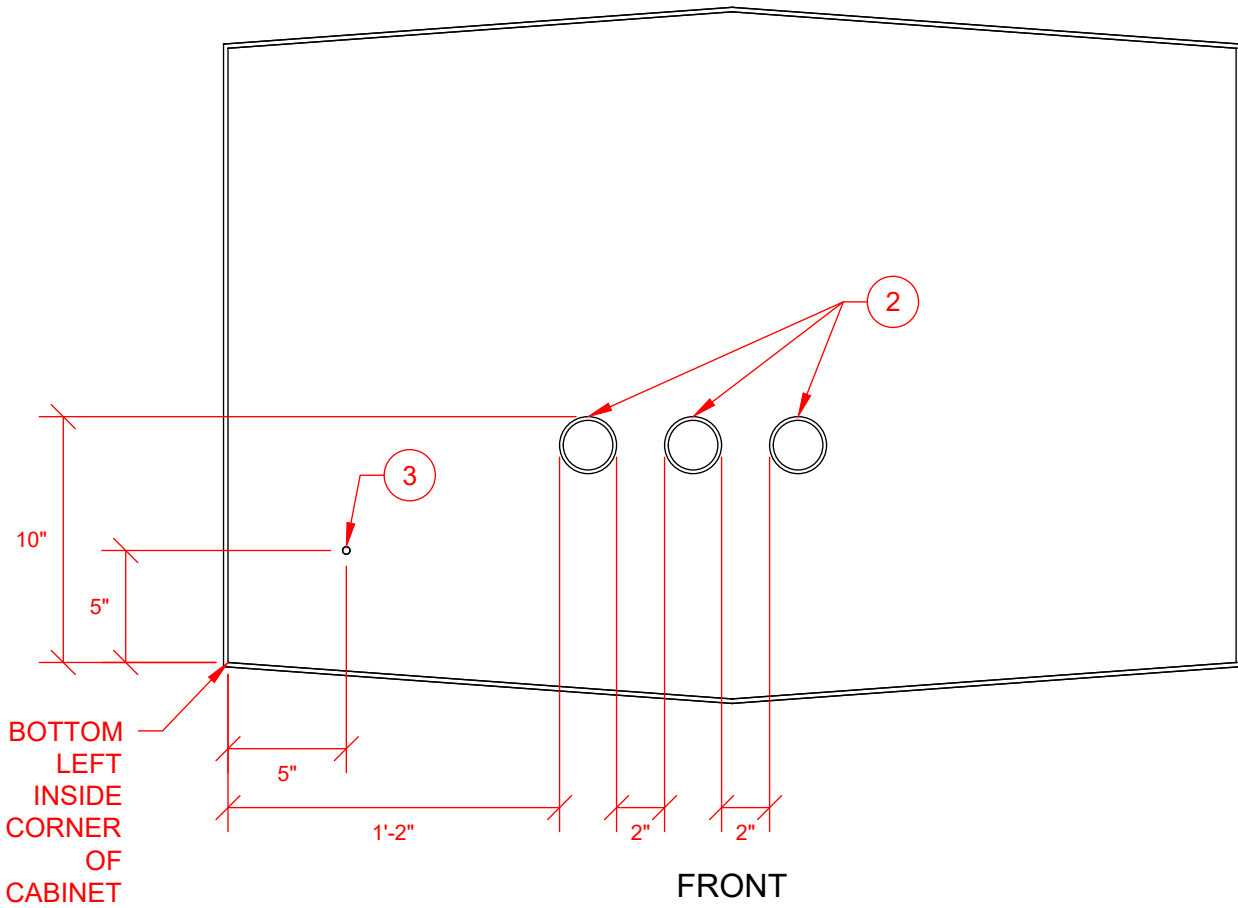
Number	Item	Requirement	Provided By	Installed By	Maintained By
1	Foundation Transformer		Evergy	Customer	Evergy
2	Backfill	• Backfill compacted to ASTM standard # Backfill should include dome top for settling or compaction to 95% maximum density (Proctor-ASTM D698).	Customer	Customer	Customer
3	Bend Conduit	• Single Phase Conduit.	Customer (Initial)	Customer	Evergy
4	Bend Conduit	• Secondary Conduit.	Customer (Initial)	Customer	Evergy
5	Bend Conduit	• Service Conduit.	Customer	Customer	Customer
6	Grounding Electrode		Evergy	Customer	Evergy
7	Gravel AB3		Customer	Customer	Customer

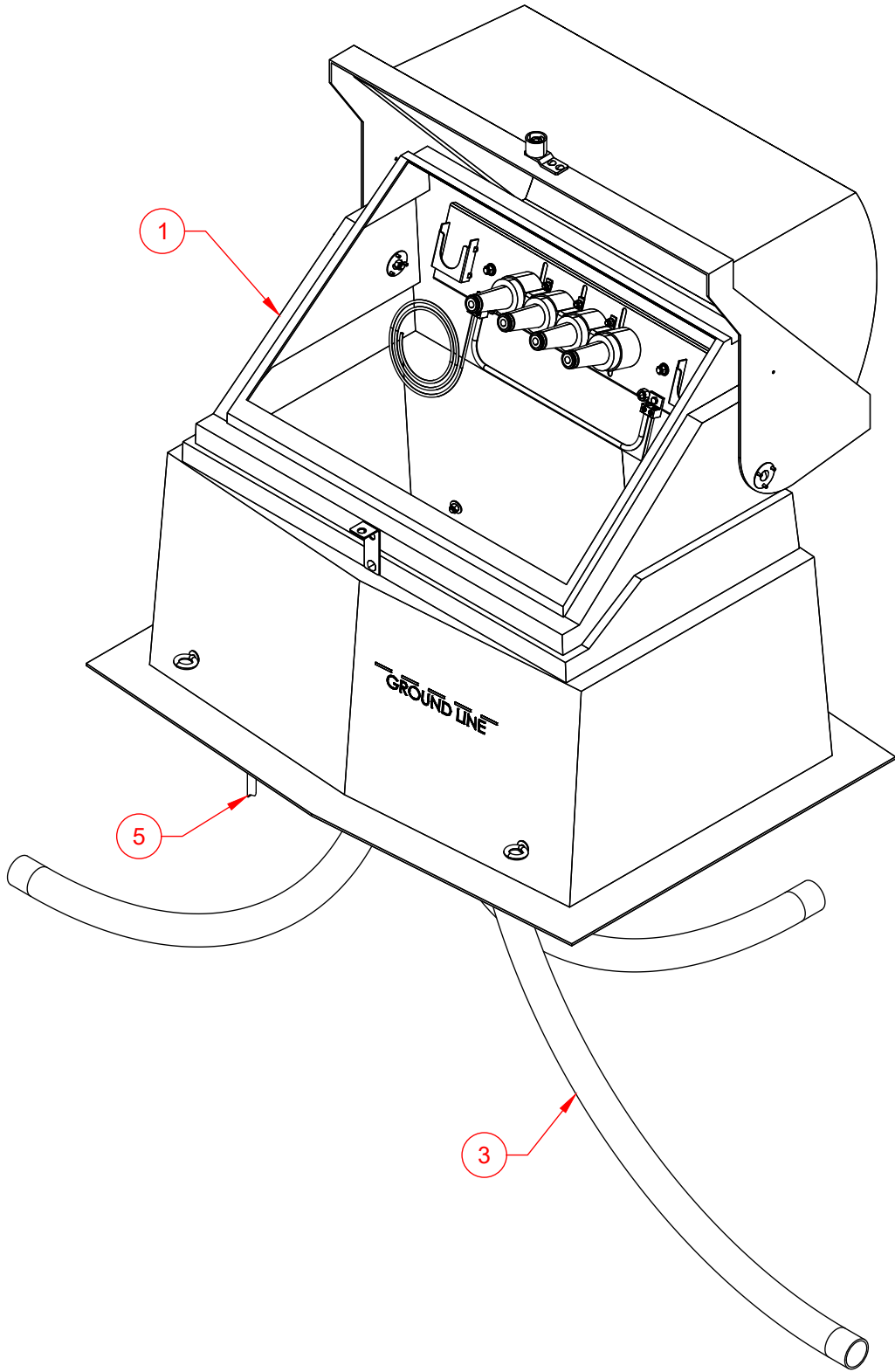


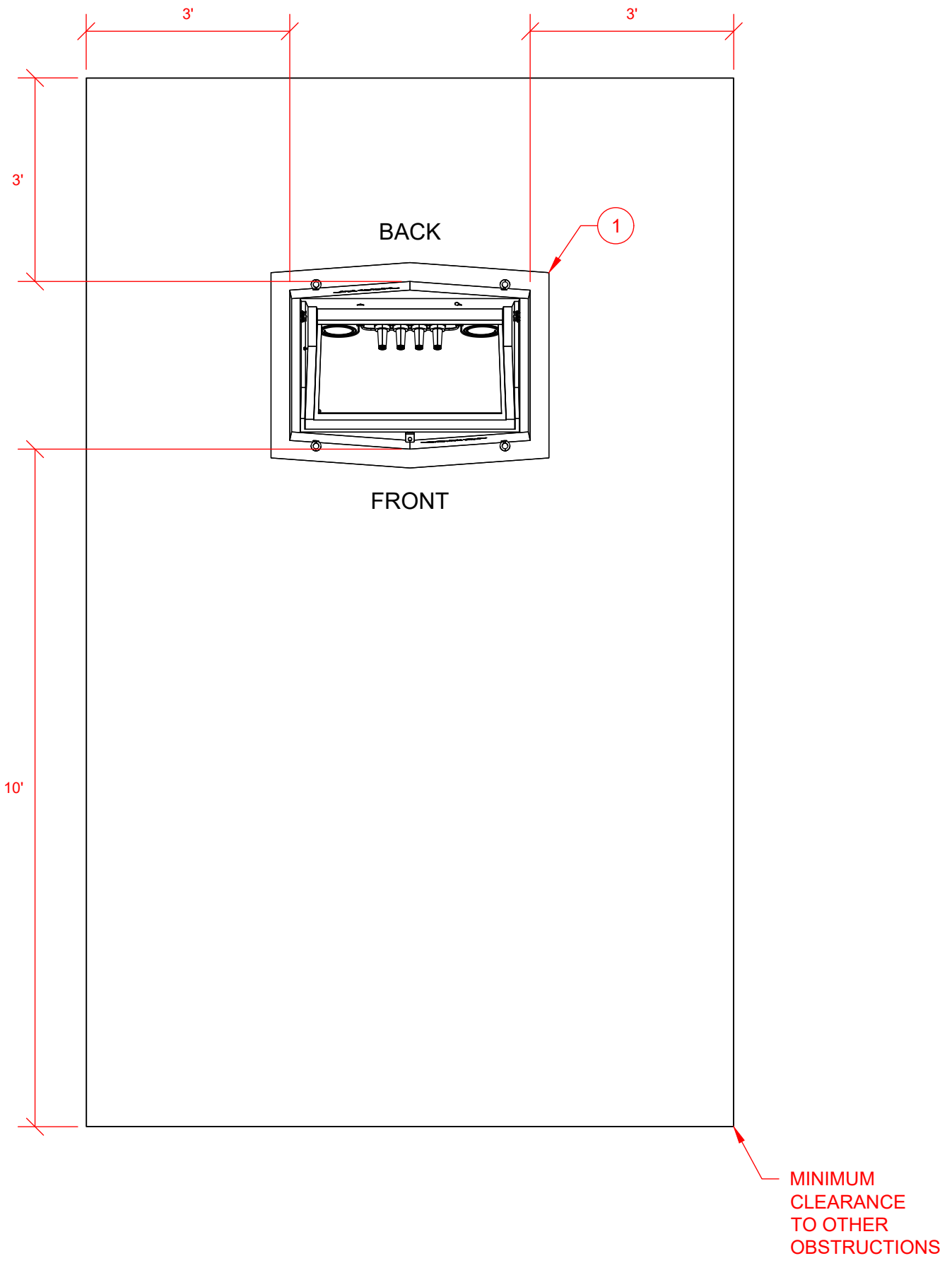


CONDUIT WINDOW

BACK







Number	Item	Requirement	Provided By	Installed By	Maintained By
1	Sectionalizing Cabinet		Evergy	Customer	Evergy
2	Backfill	• Backfill compacted to ASTM standard # Backfill should include dome top for settling or compaction to 95% maximum density (Proctor-ASTM D698).	Customer	Customer	Customer
3	Bend Conduit	• Single Phase Conduit.	Customer (Initial)	Customer	Evergy
4	Grounding Electrode		Evergy	Customer	Evergy
5	Gravel AB3		Customer	Customer	Customer



EVERGY
SERVICE
STANDARDS

DRAWN
DATE

4/7/2026

PFD EQUIPMENT
SECTIONALIZING CABINET
1P 200 AMP SURFACE MOUNT 15KV

9550.42-121

Sheet 5 of 5

Key Contacts

Evergy Kansas Metro, Evergy Missouri Metro, Evergy Missouri West Contacts:

- Customer care - 1-888-471-5275 from 7 am-5 pm on weekdays (except holidays)
- General Offices, Downtown Kansas City - (816) 556-2200
- For emergencies, power out or lines down, call toll-free – 1-888-544-4852 (1-888-LIGHT-KC)

Evergy Kansas Central Contacts:

- Residential 1-800-383-1183
- Business 1-800-401-5666

Utility One Call:

- Missouri – 1-800-344-7483 (1-800-DIG-RITE)
- Kansas – 811 or 1-800-344-7233 (1-800-DIG-SAFE)

Standards Representative:

- Email: servicestandards@evergy.com