

# Commercial ESentials

## Scope

This document provides a limited subset of Electric Service Standards commonly applicable to typical commercial service installations. The intent of this packet is to simplify access to the most frequently referenced requirements for commercial customers.

## Limitations

This packet is not intended to be comprehensive and does not replace the full Electric Service Standards.

Compliance with all applicable local, state, and national electrical codes remains the responsibility of the customer and their contractor.



EVERGY  
SERVICE  
STANDARDS

DRAWN  
DATE

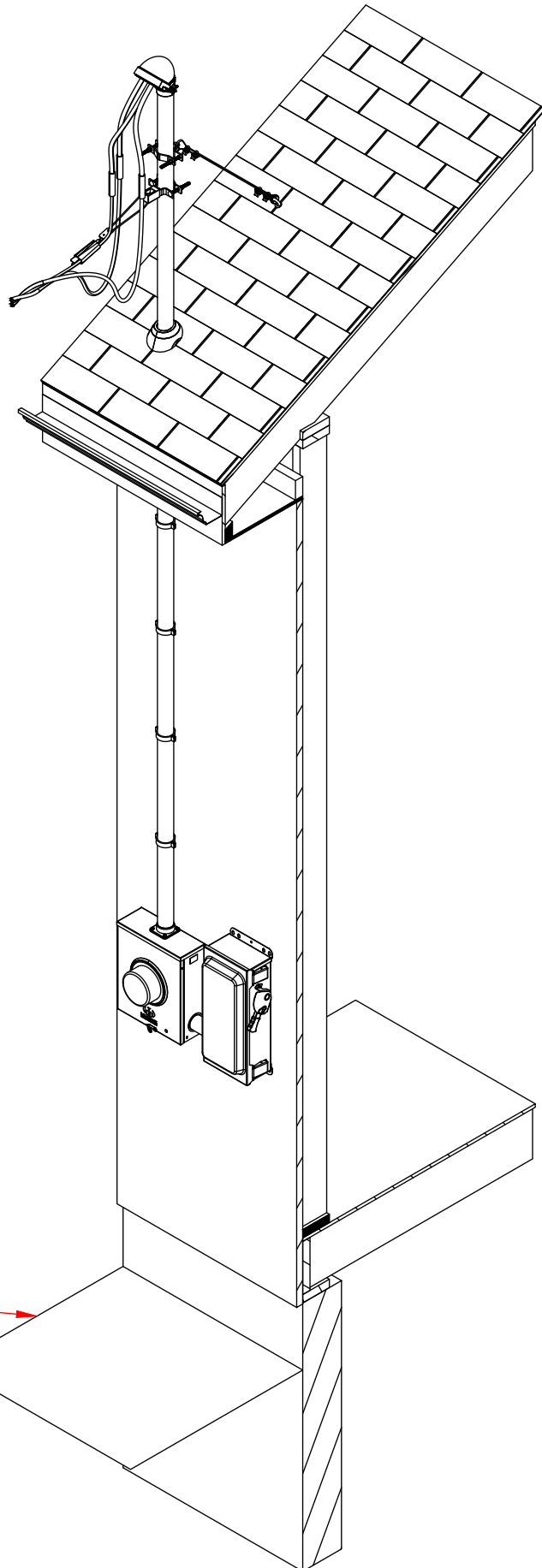
3/17/2026

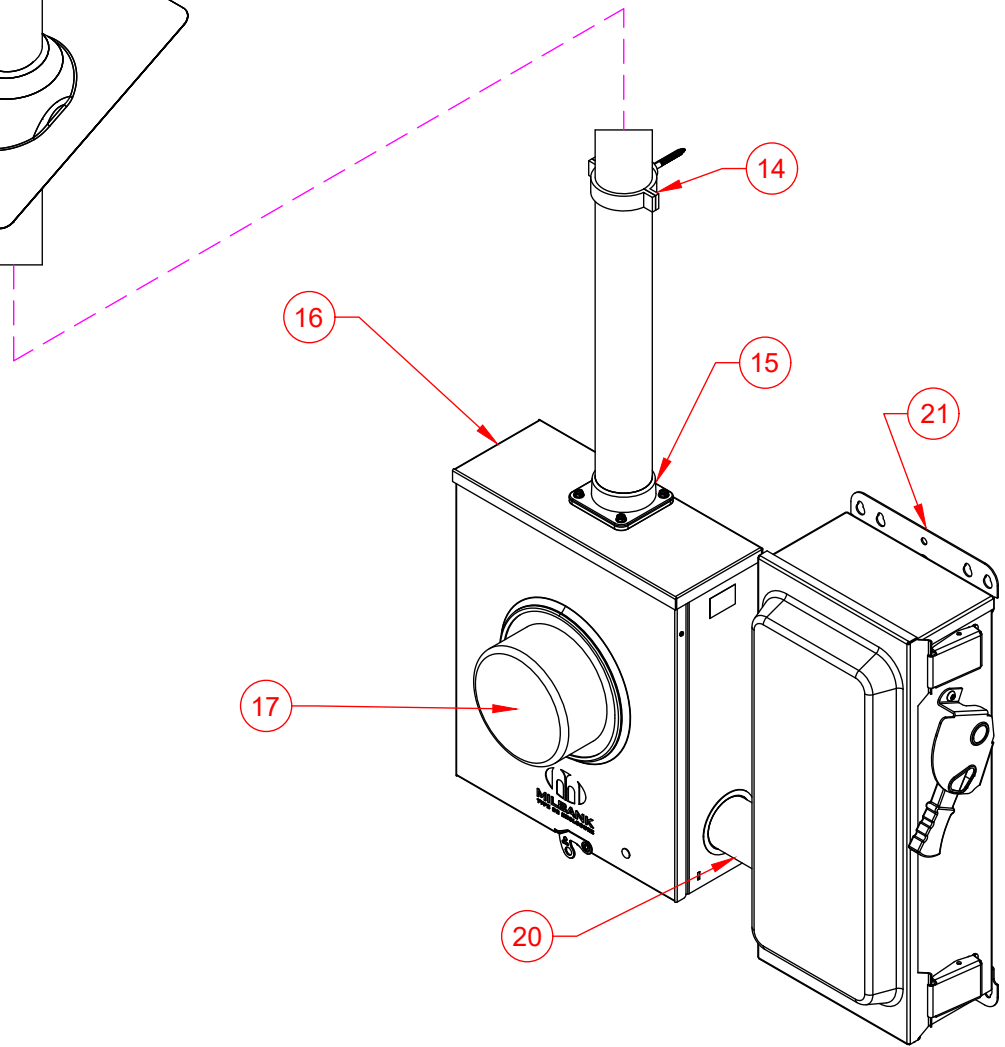
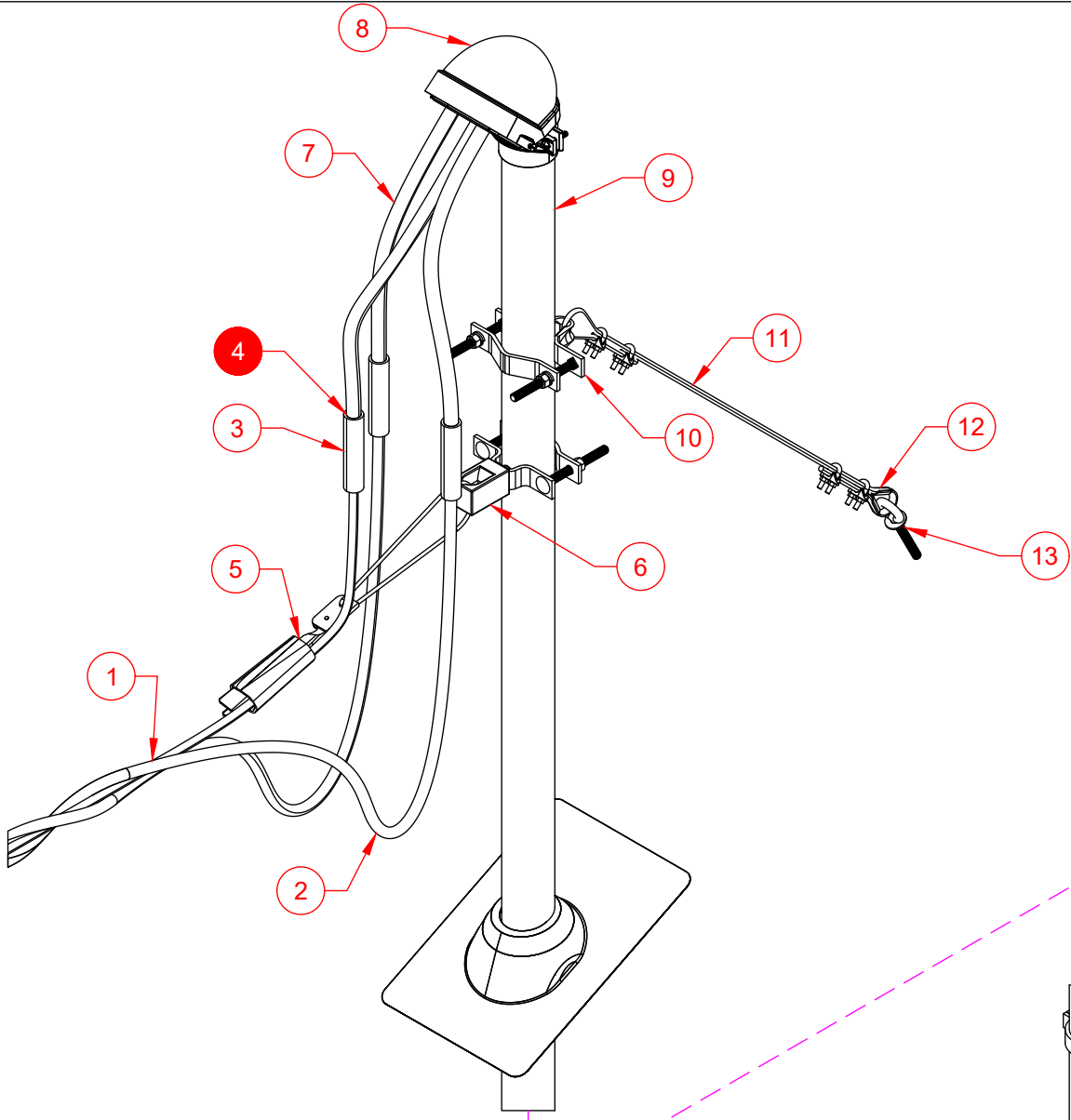
CSS GENERAL  
GENERAL  
ESSENTIALS PACKET

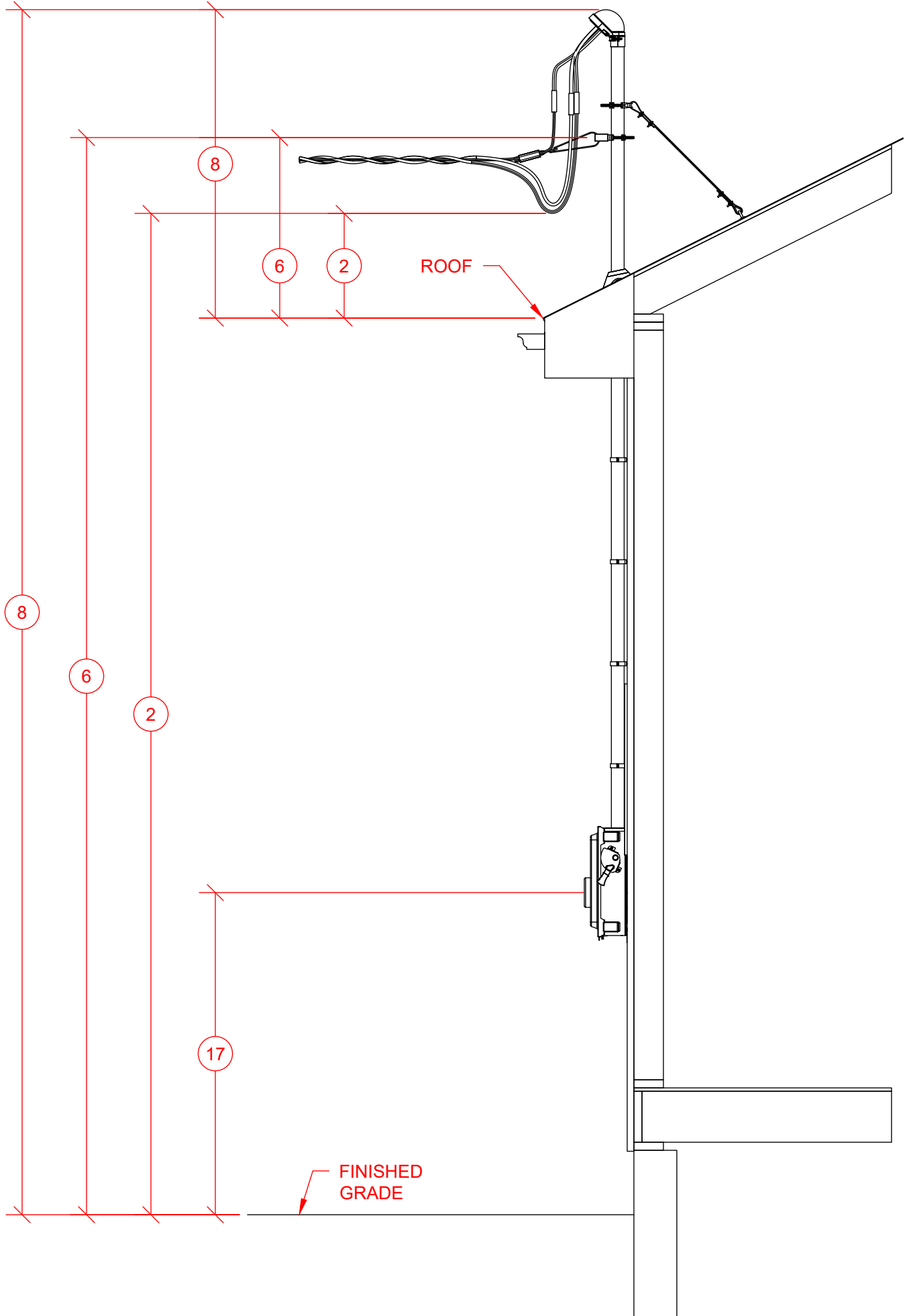
**8200.0-001**

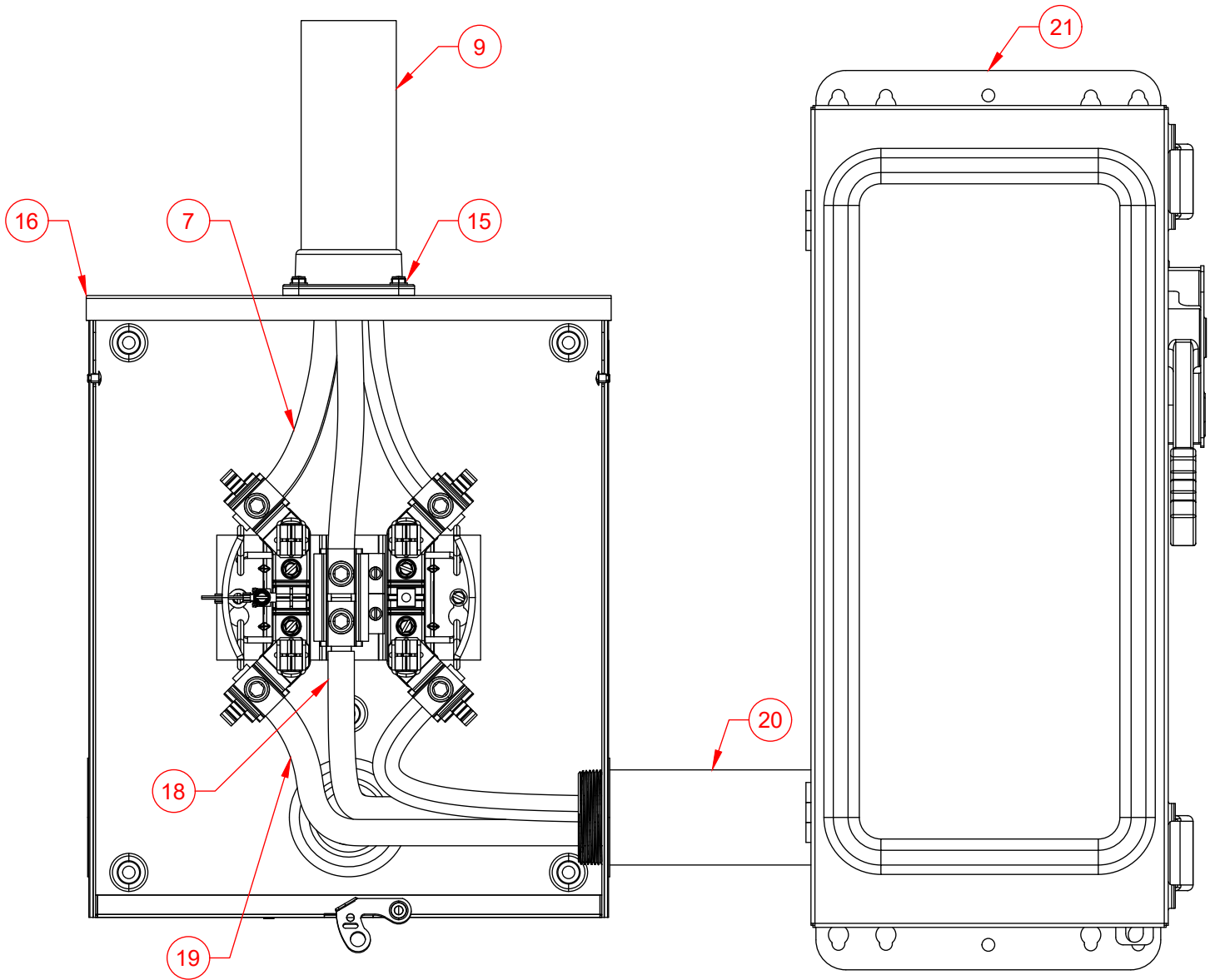
Sheet 1 of 1

FINISHED GRADE

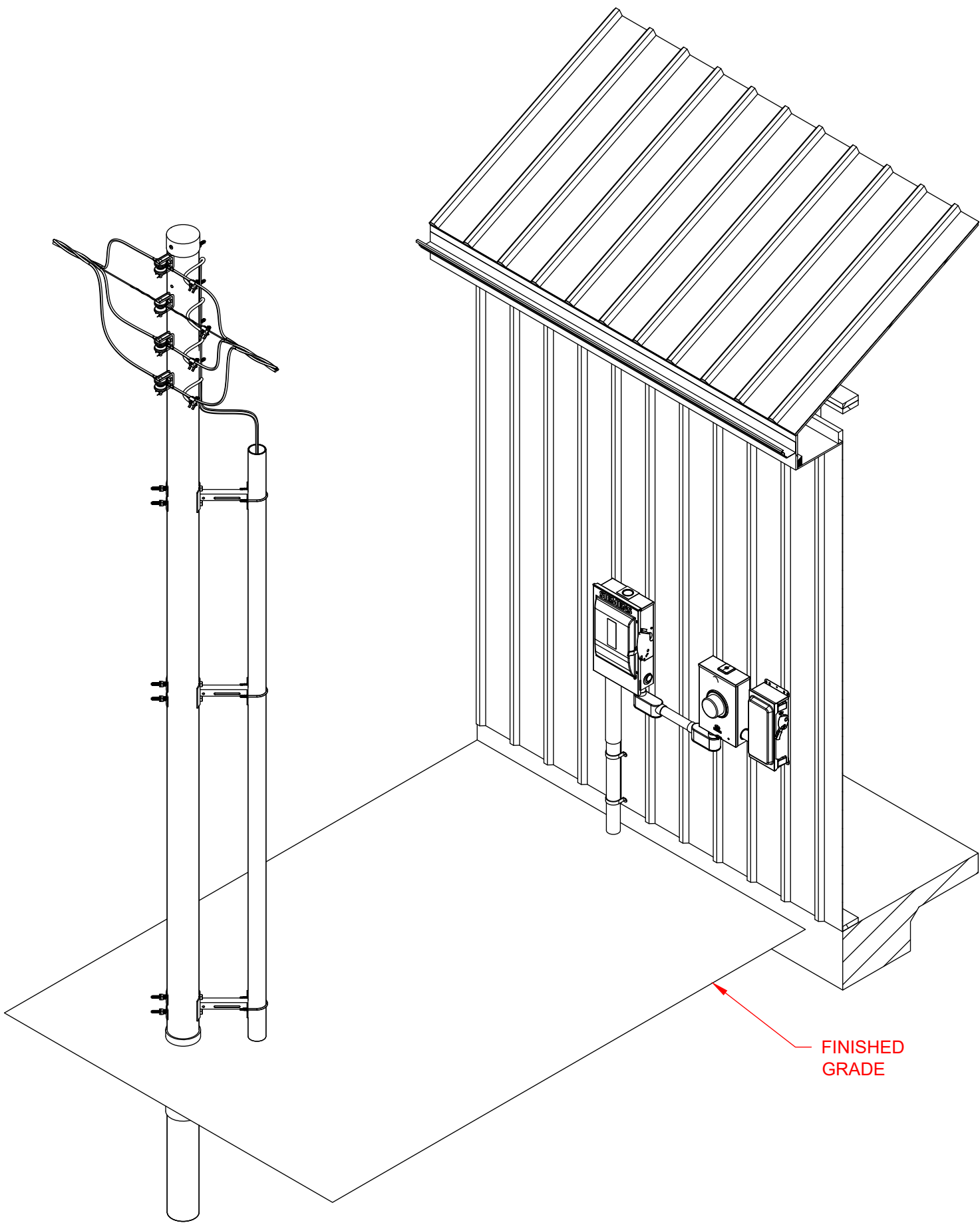


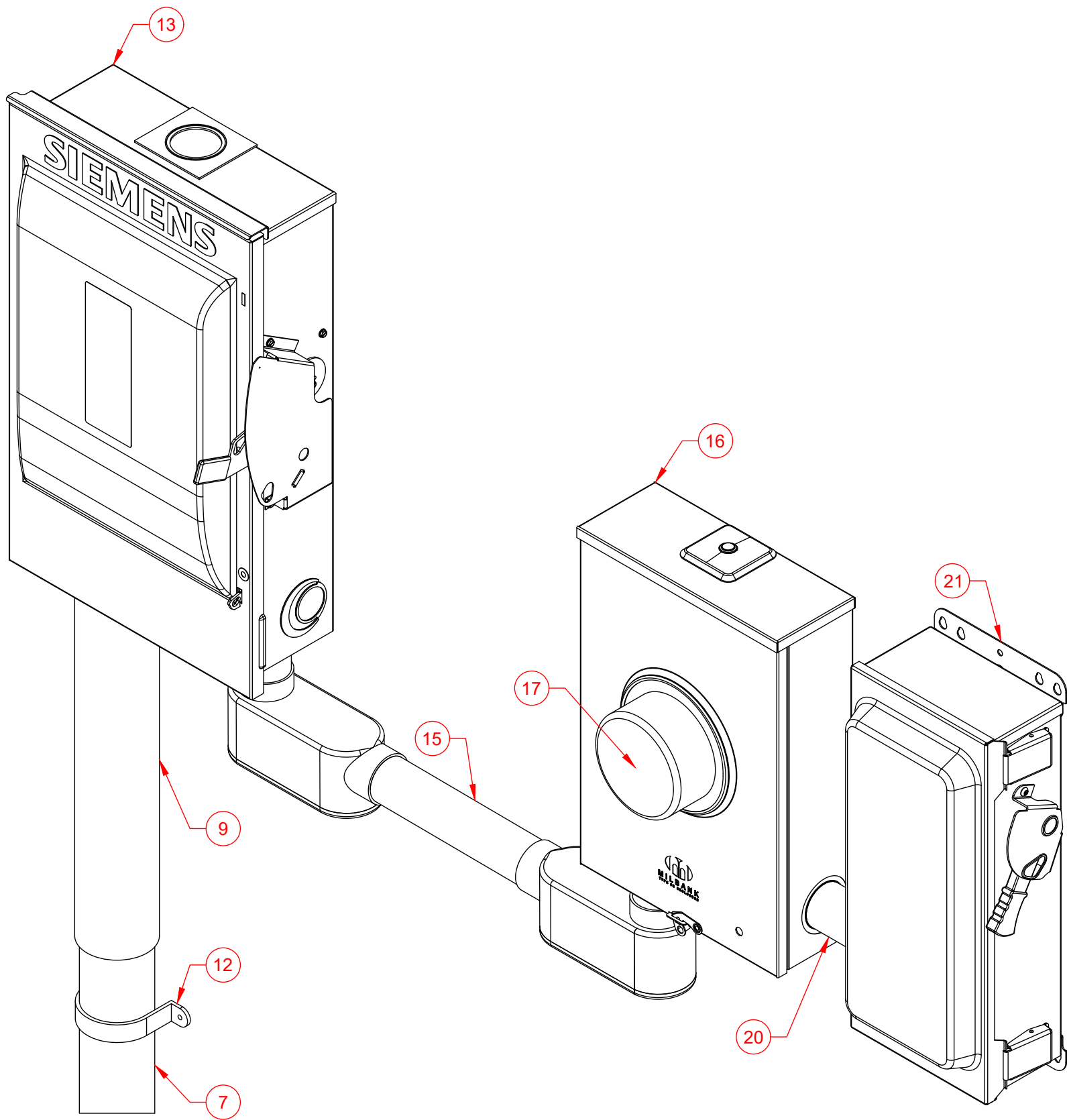


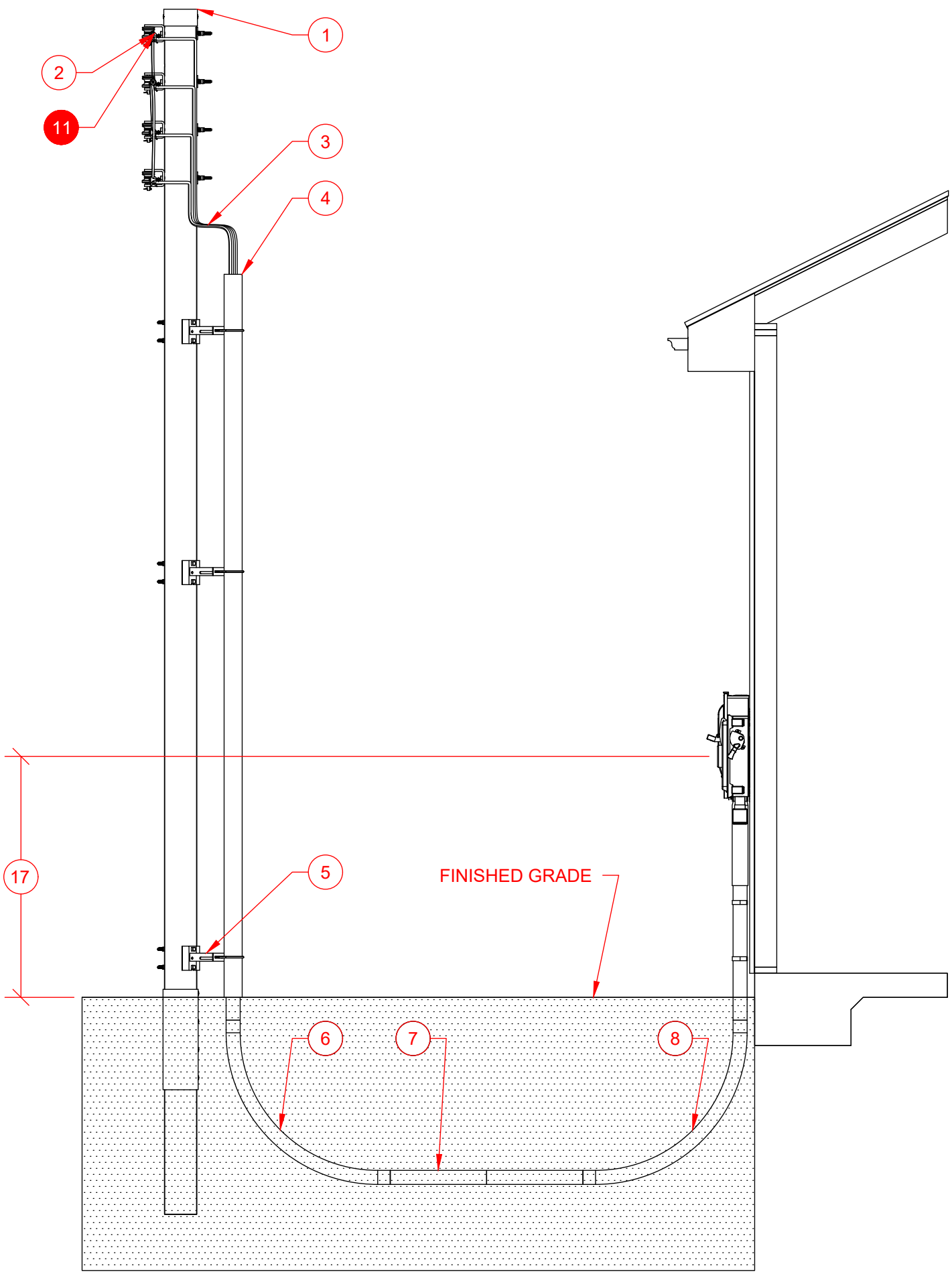


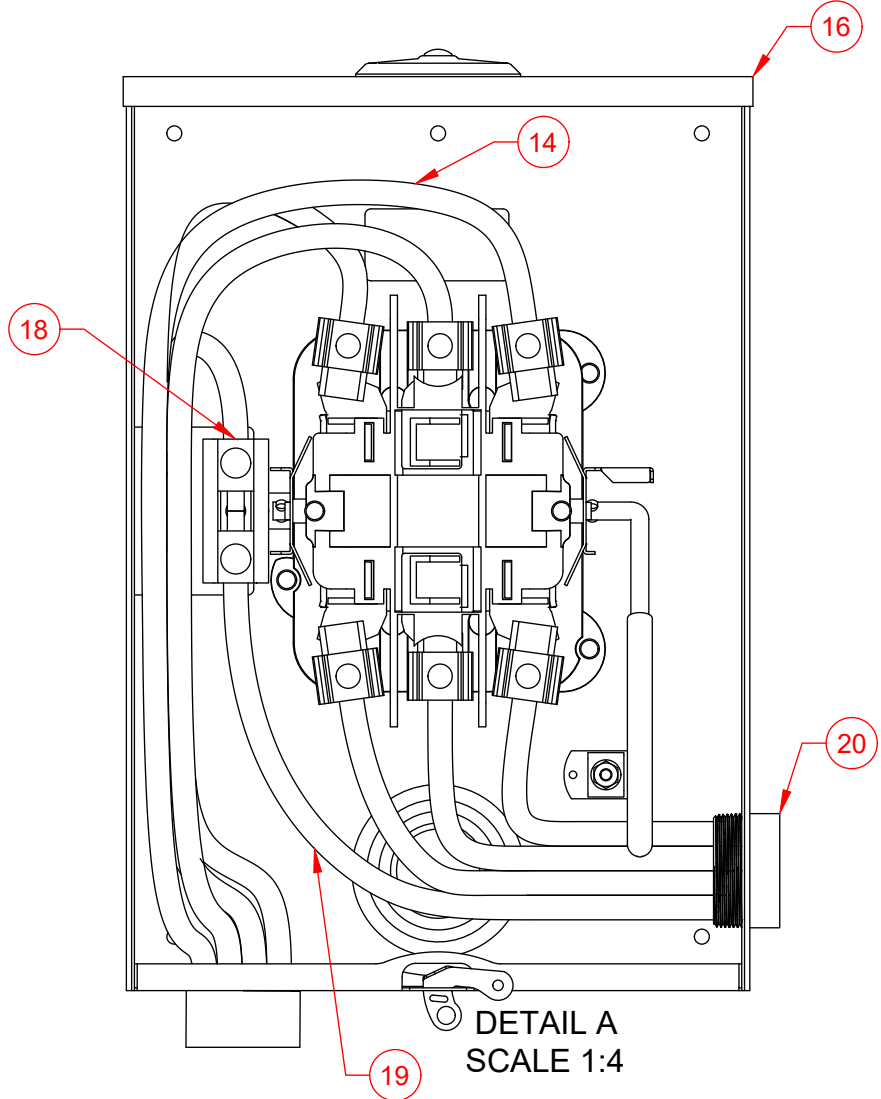
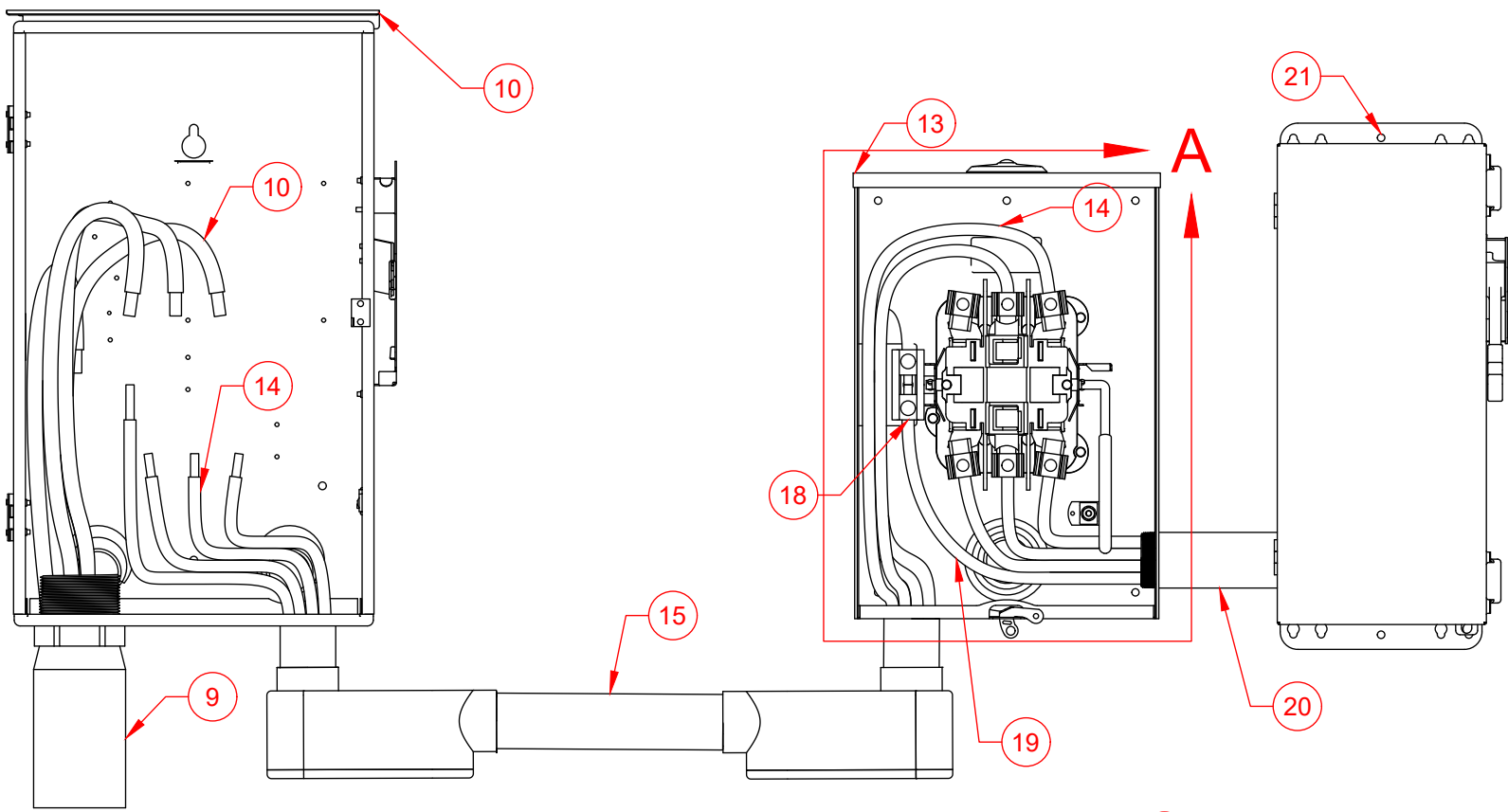


Number	Item	Requirement	Provided By	Installed By	Maintained By
1	Service Drop Triplex		Evergy	Evergy	Evergy
2	Drip Loop	<ul style="list-style-type: none"> <li>• Drip loop to top of finished grade 10' minimum.</li> <li>• Drip loop to roof 1' 6" minimum (when applicable).</li> </ul>	Customer	Customer	Customer
3	Service Point (Point of Delivery) Connection		Evergy	Evergy	Evergy
4	<b>Service Point (Point of Delivery)</b>				
5	Clamp Service Drop		Evergy	Evergy	Evergy
6	Point of Attachment When Guyed	<ul style="list-style-type: none"> <li>• Point of attachment to top of finished grade 12' minimum.</li> <li>• Point of attachment to roof 3' maximum.</li> <li>• Point of Attachment to weatherhead 1' minimum.</li> <li>• Support 900 pounds of tension.</li> <li>• One per service drop.</li> <li>• Shall not be attached to a conduit where a coupling is located above the last point of securement.</li> </ul>	Customer	Customer	Customer
7	Service Conductor		Customer	Customer	Customer
8	Weatherhead	<ul style="list-style-type: none"> <li>• Weatherhead to top of finished grade 18' maximum.</li> <li>• Weatherhead to roof 4' maximum (when applicable).</li> </ul>	Customer	Customer	Customer
9	Conduit Service Conductor		Customer	Customer	Customer
10	Attachment Guy Support	• Guying needs to supplement the 900 pound attachment point rating.	Customer	Customer	Customer
11	Guy Wire		Customer	Customer	Customer
12	Thimble Guy Support		Customer	Customer	Customer
13	Bolt Guy Support		Customer	Customer	Customer
14	Conduit Strap	<ul style="list-style-type: none"> <li>• As Required.</li> <li>• Location and quantity not determined by Evergy.</li> </ul>	Customer	Customer	Customer
15	Meter Socket Hub		Customer	Customer	Customer
16	Meter Socket Single Position 3W	• Bottom of left side and left of bottom side of meter sockets with UG feeds are reserved for Evergy conductors.	Customer	Customer	Customer
17	Evergy Billing Meter 3W	• Top of finished grade to center of meter height must be 4' 6" to 5' 6".	Evergy	Evergy	Evergy
18	Neutral Location				
19	Service Entrance Conductor		Customer	Customer	Customer
20	Conduit Service Entrance Conductor		Customer	Customer	Customer
21	First Means Of Disconnect	<ul style="list-style-type: none"> <li>• FMD for building.</li> <li>• First Place Neutral and ground can bonded together.</li> <li>• Location not determined by Evergy.</li> </ul>	Customer	Customer	Customer









DETAIL A  
SCALE 1:4



EVERGY  
SERVICE  
STANDARDS

DRAWN  
DATE  
04/02/2026

CSOU DWELLING MOUNTED FROM POLE  
SINGLE CAN, SINGLE POSITION  
4W 277/480, 200 AMP

8221.10-572  
Sheet 4 of 5

Number	Item	Requirement	Provided By	Installed By	Maintained By
1	Pole		Evergy	Evergy	Evergy
2	Company Connection		Evergy	Evergy	Evergy
3	Service Lateral Riser	• Customer to leave enough conductor to go 10' past point of connection for forming and makeup.	Customer	Evergy	Evergy
4	Conduit Riser	• 2", 3", 4" Or 6" Schedule 40 PVC.	Customer	Evergy	Evergy
5	Stand Off Conduit	• Conduit mounting provisions will be 7" from face of pole.	Evergy	Evergy	Evergy
6	Conduit Bend 90	• 7" From base of pole on the company determined side.	Customer	Customer	Customer
7	Conduit		Customer	Customer	Customer
8	Conduit Bend 90		Customer	Customer	Customer
9	Conduit Slip Riser		Customer	Customer	Customer
10	Service Lateral		Customer	Customer	Customer
11	<b>Service Point (Point of Delivery)</b>				
12	Conduit Strap	• As Required. • Location and quantity not determined by Evergy.	Customer	Customer	Customer
13	Utility Disconnect	• The disconnect required before 480v self contained meter sockets. • Neutral lug bonded to enclosure. • Labeled per NEC.	Customer	Customer	Customer
14	Service Conductor		Customer	Customer	Customer
15	Conduit Service Conductor		Customer	Customer	Customer
16	Meter Socket Single Position 4W	• Bottom of left side and left of bottom side of meter sockets with UG feeds are reserved for Evergy conductors.	Customer	Customer	Customer
17	Evergy Billing Meter 4W	• Top of finished grade to center of meter height must be 4' 6" to 5' 6".	Evergy	Evergy	Evergy
18	Neutral Location				
19	Service Entrance Conductor		Customer	Customer	Customer
20	Conduit Service Entrance Conductor		Customer	Customer	Customer
21	First Means Of Disconnect	• FMD for building. • First Place Neutral and ground can bonded together. • Location not determined by Evergy.	Customer	Customer	Customer



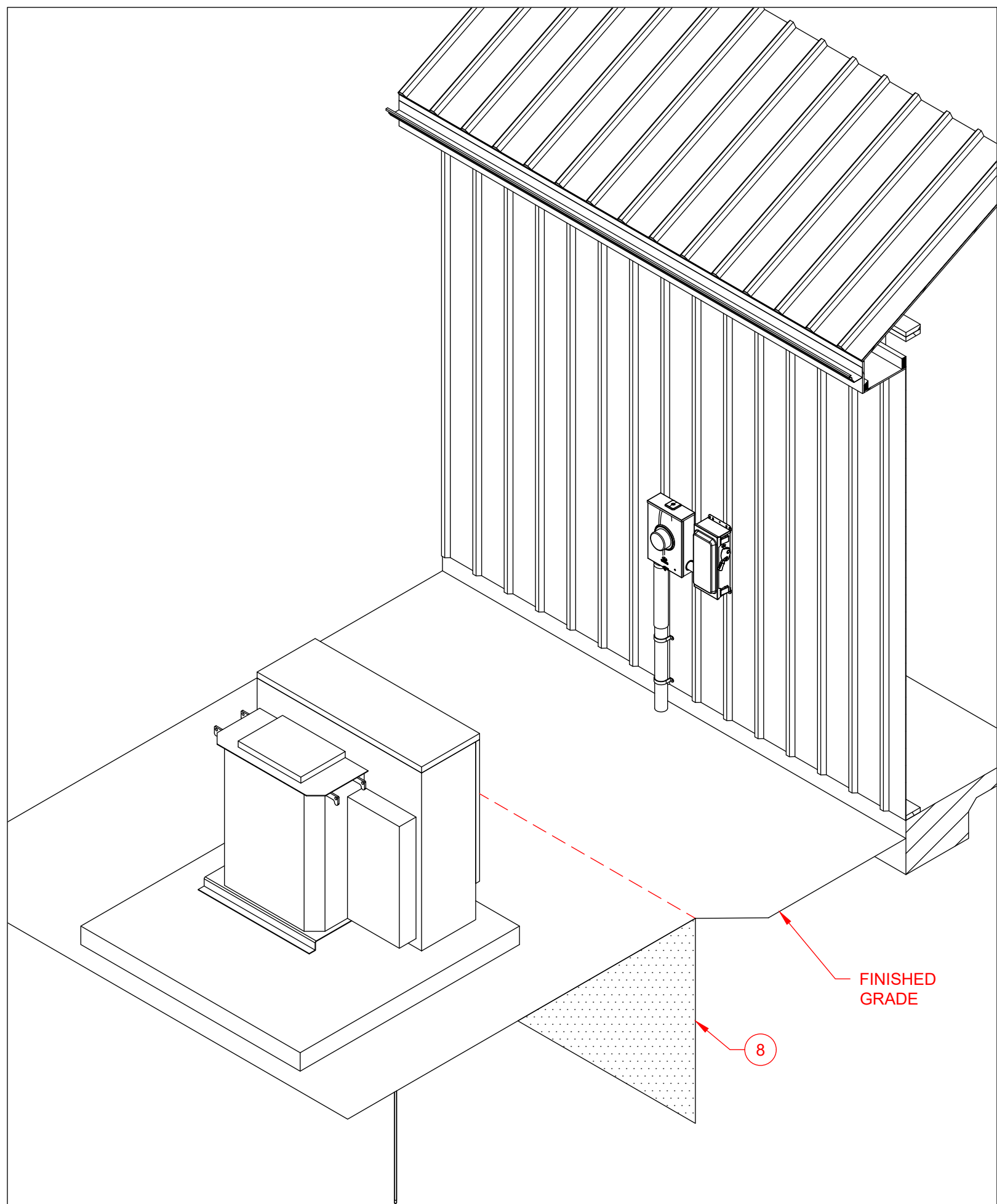
EVERGY  
SERVICE  
STANDARDS

DRAWN  
DATE  
4/7/2026

CSOU DWELLING MOUNTED FROM POLE  
SINGLE CAN, SINGLE POSITION  
4W 277/480, 200 AMP

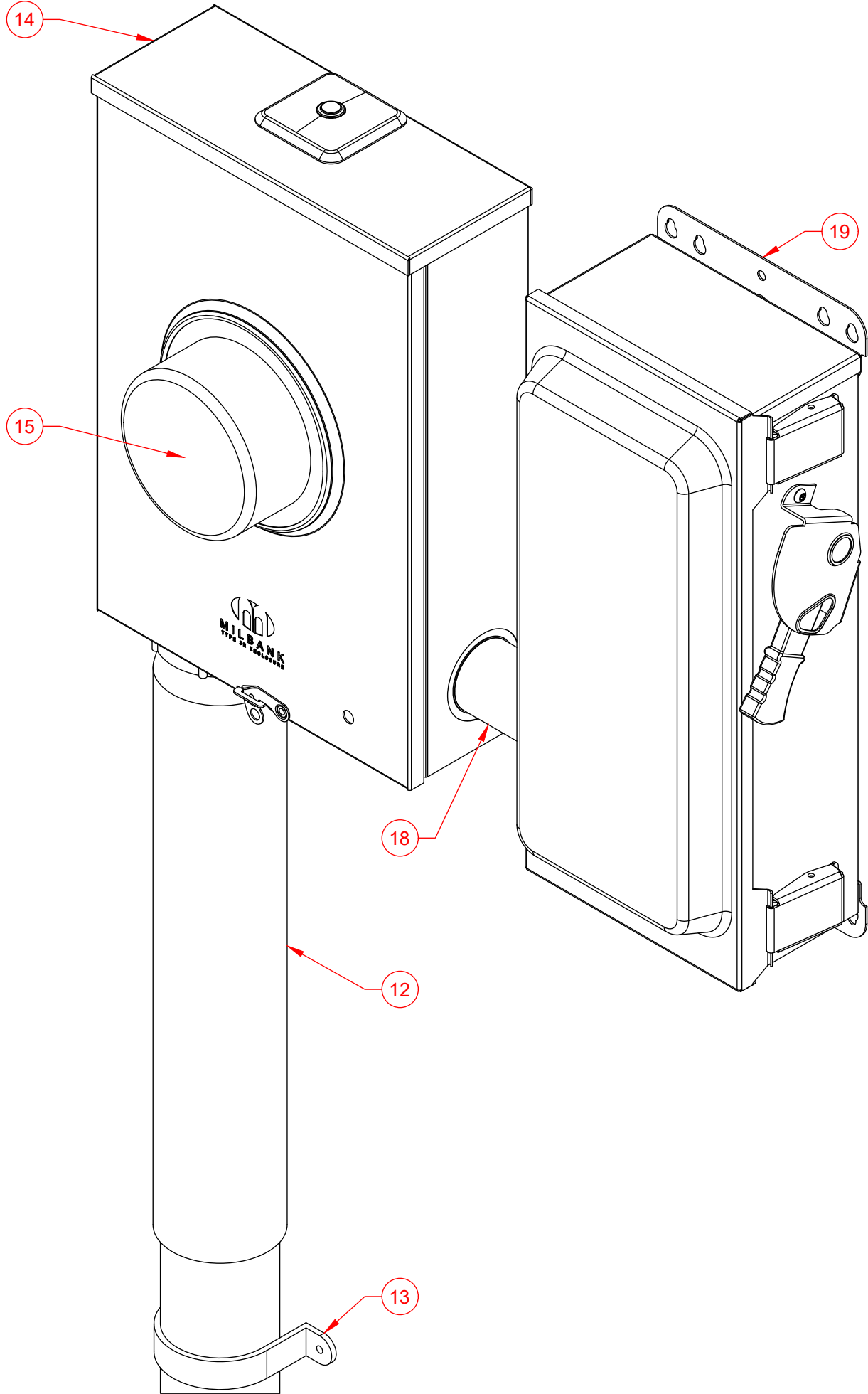
**8221.10-572**

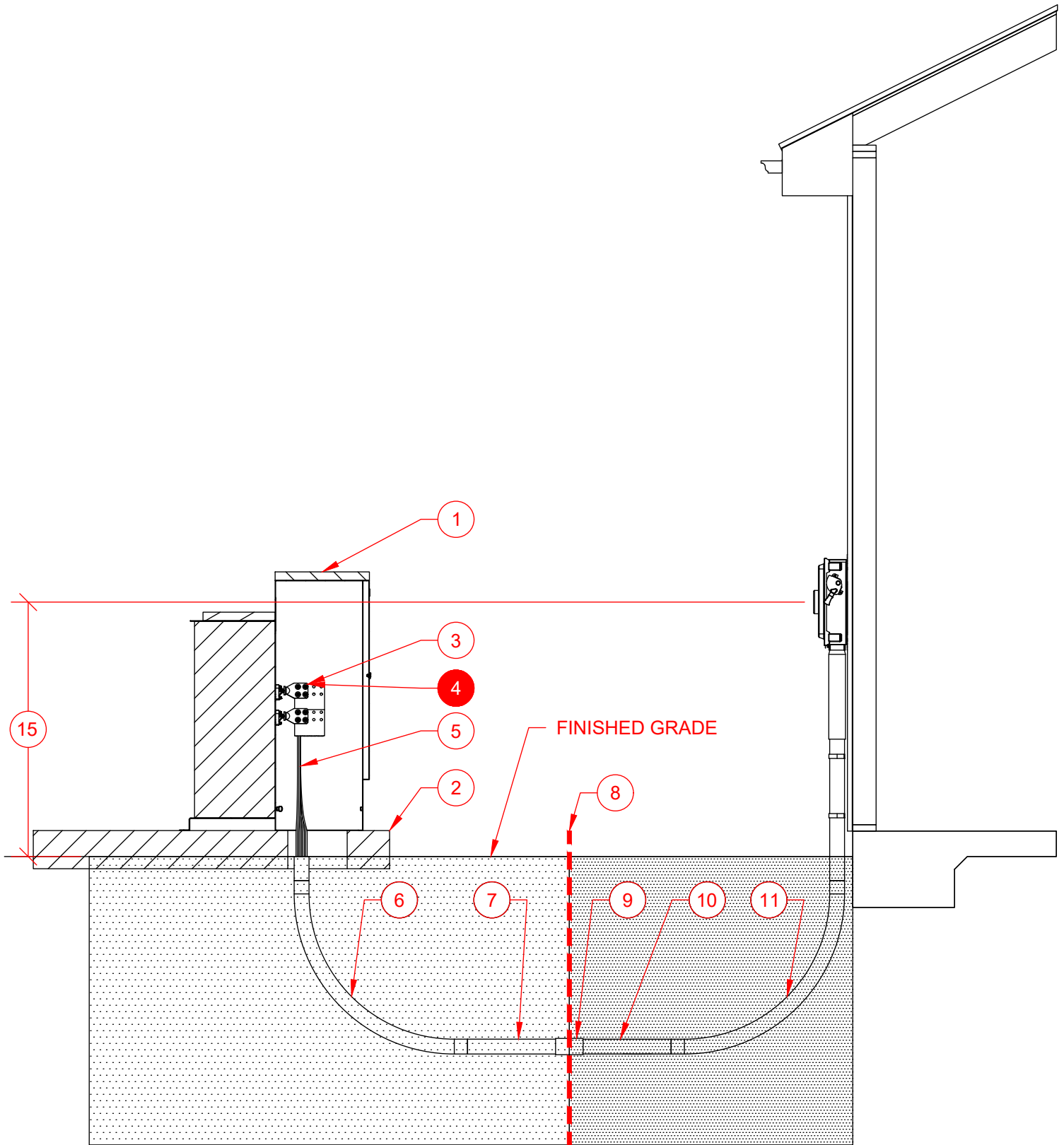
Sheet 5 of 5

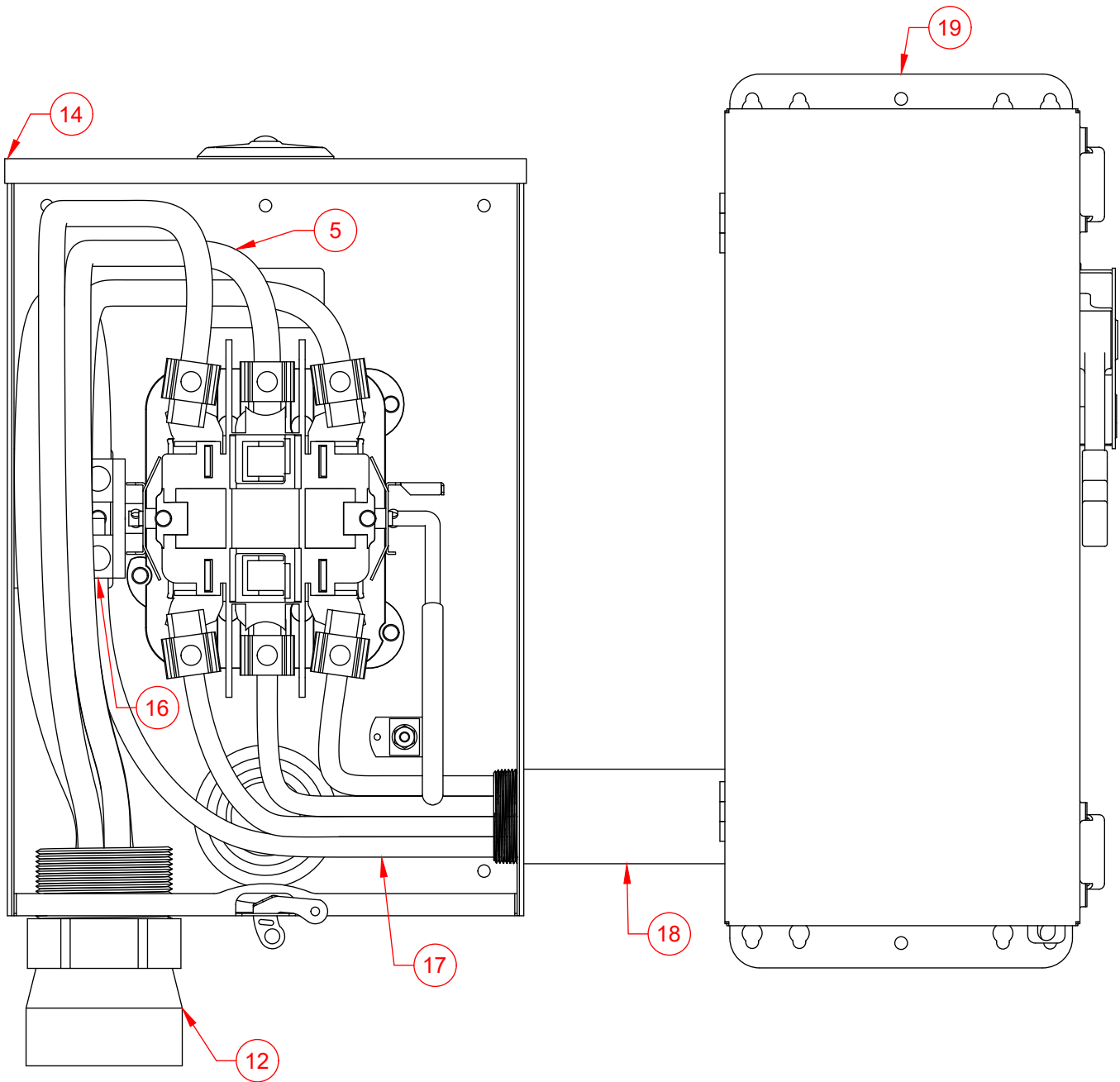


FINISHED GRADE

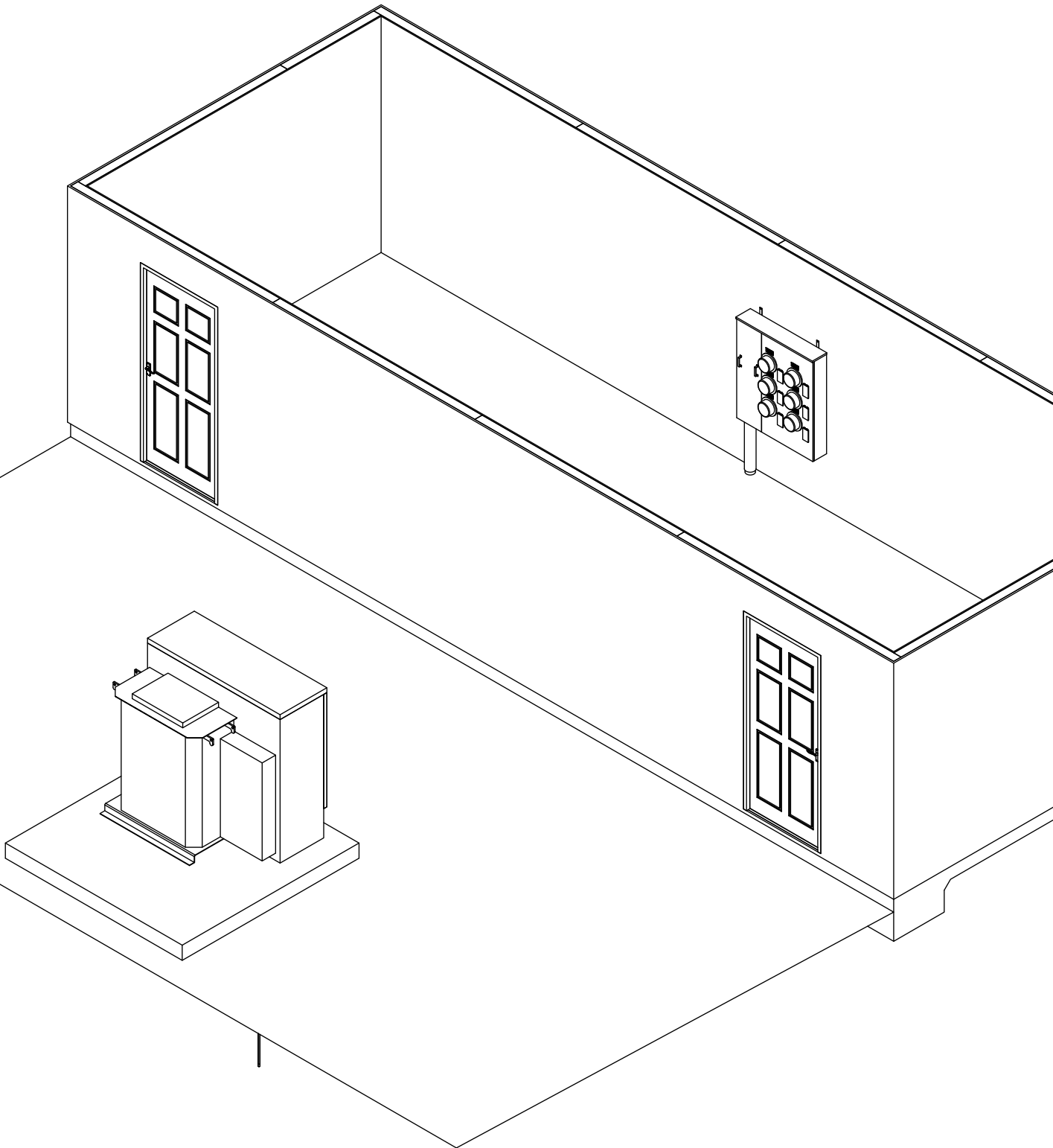
8

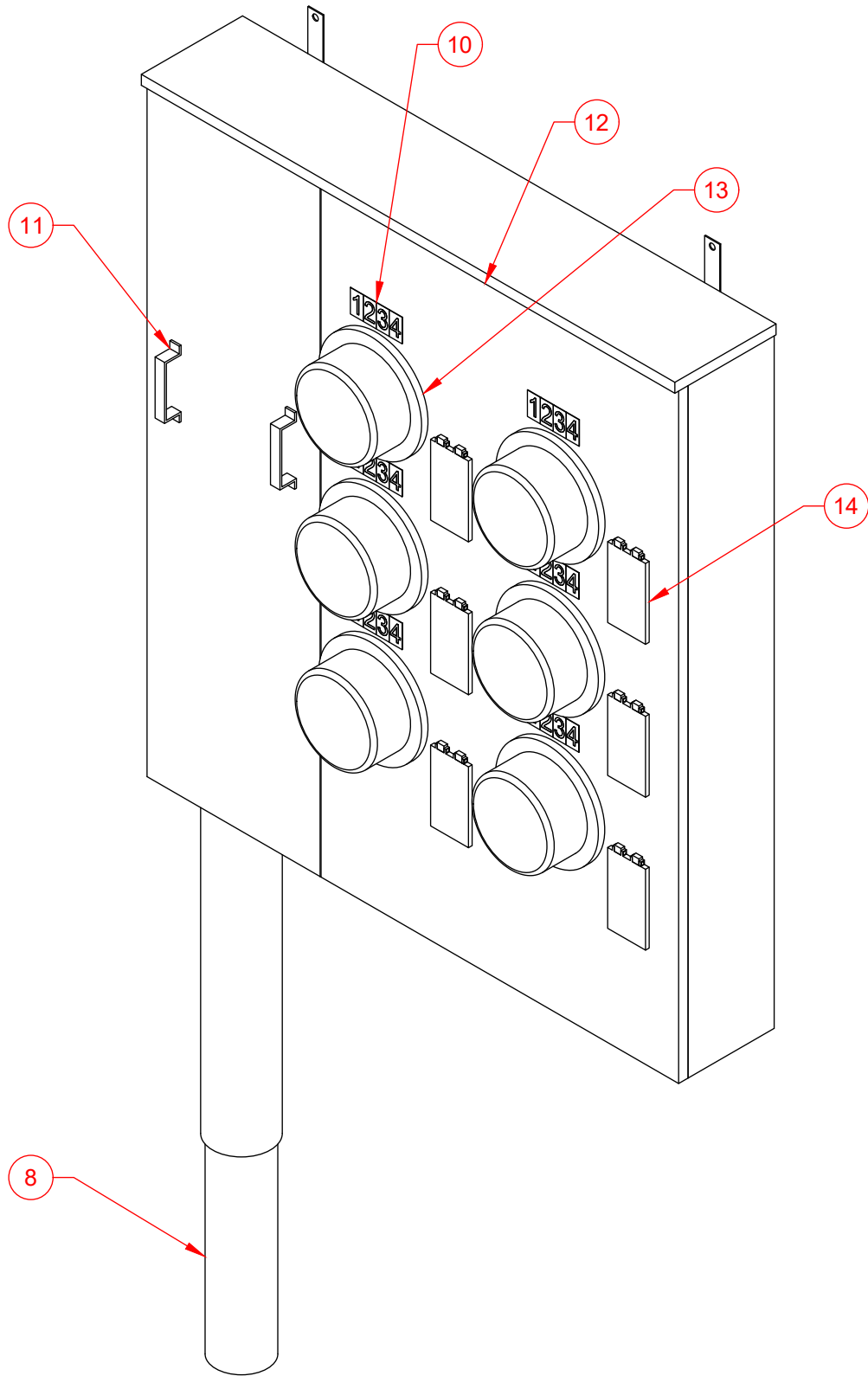


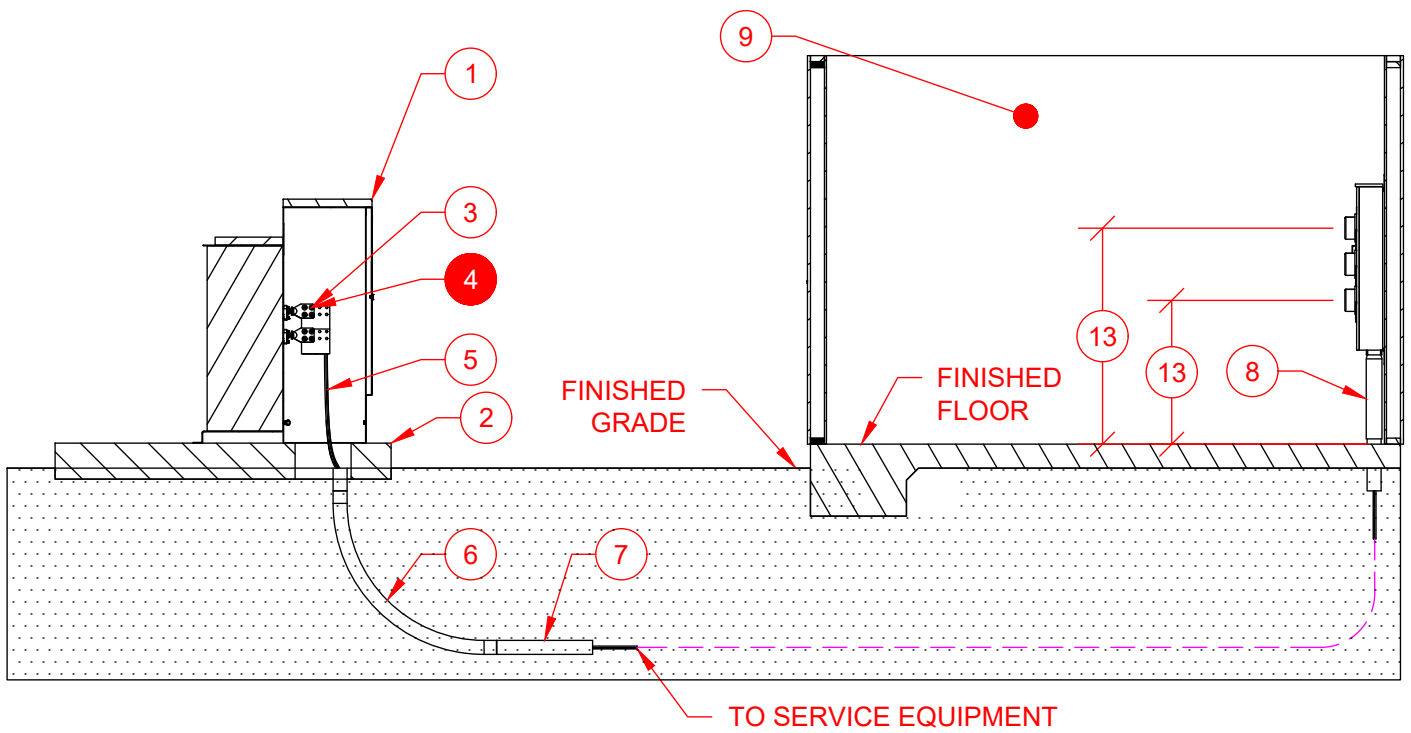


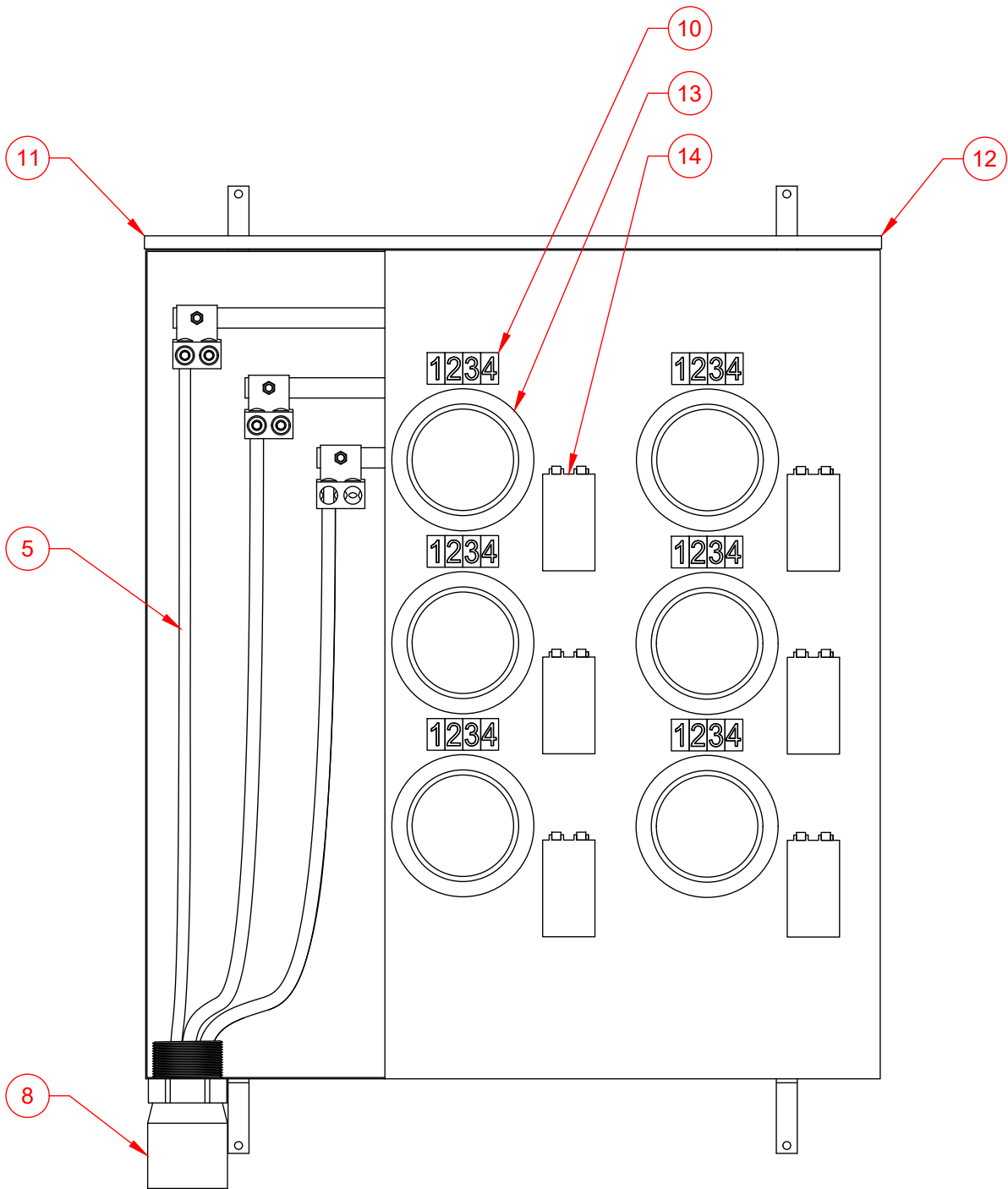


Number	Item	Requirement	Provided By	Installed By	Maintained By
1	Transformer Three Phase Padmount		Evergy	Evergy	Evergy
2	Foundation Three Phase Padmount	• Refer to 9550.57 to verify the requirements.			
3	Company Connection		Evergy	Evergy	Evergy
4	<b>Service Point (Point of Delivery)</b>				
5	Service Lateral		Customer	Customer	Customer
6	Conduit Bend 90	• Existing Pedestal/Padmount with stub.	Existing	Existing	Evergy
6	Conduit Bend 90	• Existing Pedestal/Padmount without stub: Evergy will install a service stub-out to a Company-selected location for customer connection.	Customer	Evergy	Evergy
6	Conduit Bend 90	• New Pedestal/Padmount: Customer must provide service stub-outs for all anticipated conduits, oriented toward the projected conduit path.	Customer	Customer	Evergy
7	Conduit	• Existing Pedestal/Padmount without stub: Evergy will install a service stub-out to a Company-selected location for customer connection.	Customer	Evergy	Evergy
7	Conduit	• New Pedestal/Padmount: Customer must provide service stub-outs for all anticipated conduits, oriented toward the projected conduit path and end at the easement.	Customer	Customer	Evergy
7	Conduit	• Existing Pedestal/Padmount with stub.	Existing	Existing	Evergy
8	End of Stubout	• Customer provides to company selected location.			
9	Conduit Coupling		Customer	Customer	Customer
10	Conduit		Customer	Customer	Customer
11	Conduit Bend 90		Customer	Customer	Customer
12	Conduit Slip Riser		Customer	Customer	Customer
13	Conduit Strap	• As Required. • Location and quantity not determined by Evergy.	Customer	Customer	Customer
14	Meter Socket Single Position 4W	• Bottom of left side and left of bottom side of meter sockets with UG feeds are reserved for Evergy conductors.	Customer	Customer	Customer
15	Evergy Billing Meter 4W	• Top of finished grade to center of meter height must be 4' 6" to 5' 6".	Evergy	Evergy	Evergy
16	Neutral Location				
17	Service Entrance Conductor		Customer	Customer	Customer
18	Conduit Service Entrance Conductor		Customer	Customer	Customer
19	First Means Of Disconnect	• FMD for building. • First Place Neutral and ground can bonded together. • Location not determined by Evergy.	Customer	Customer	Customer

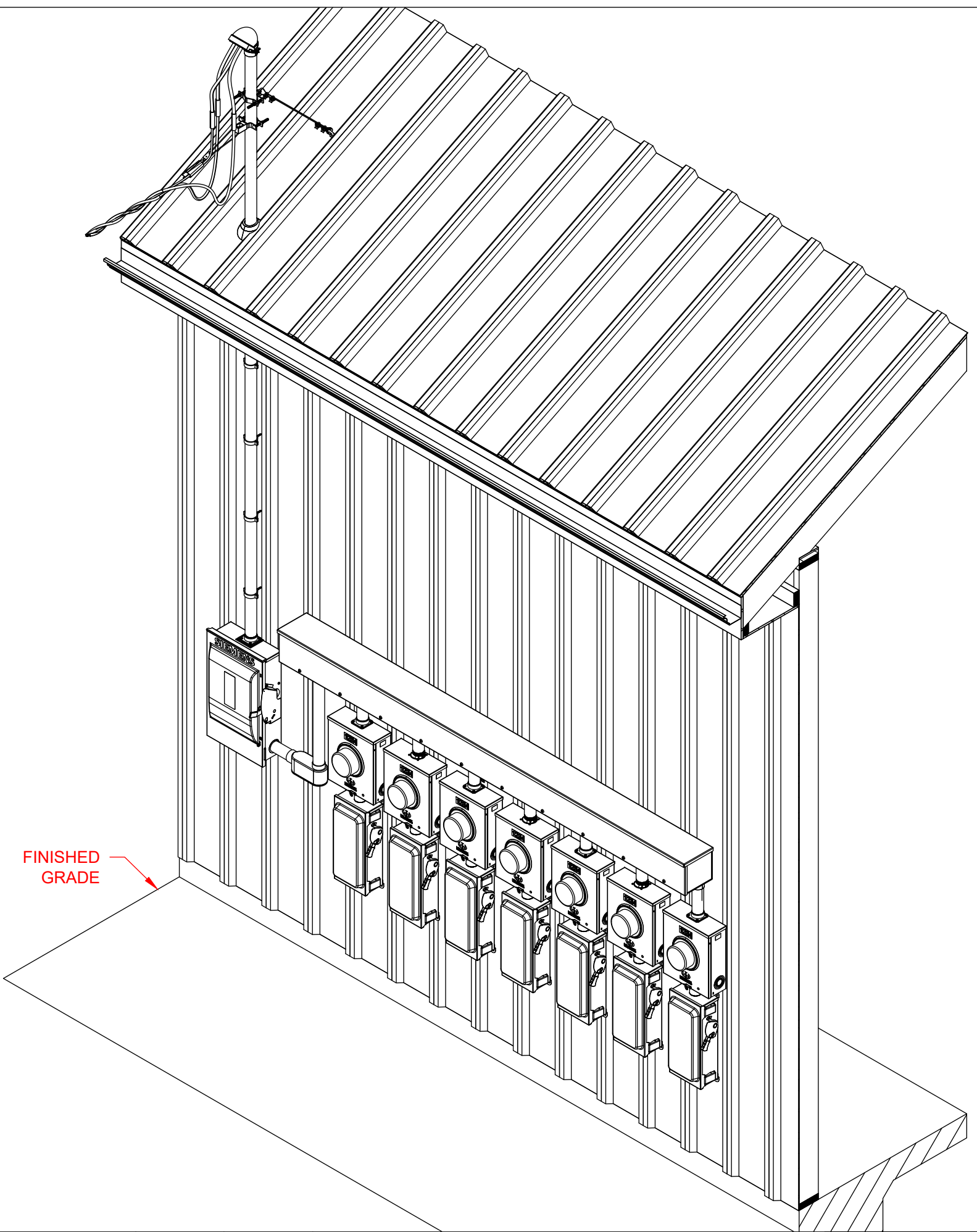








Number	Item	Requirement	Provided By	Installed By	Maintained By
1	Transformer Three Phase Padmount		Evergy	Evergy	Evergy
2	Foundation Three Phase Padmount	• Refer to 9550.57 to verify the requirements.			
3	Company Connection		Evergy	Evergy	Evergy
4	<b>Service Point (Point of Delivery)</b>				
5	Service Lateral		Customer	Customer	Customer
6	Conduit Bend 90	• Existing Pedestal/Padmount with stub.	Existing	Existing	Evergy
6	Conduit Bend 90	• Existing Pedestal/Padmount without stub: Evergy will install a service stub-out to a Company-selected location for customer connection.	Customer	Evergy	Evergy
6	Conduit Bend 90	• New Pedestal/Padmount: Customer must provide service stub-outs for all anticipated conduits, oriented toward the projected conduit path.	Customer	Customer	Evergy
7	Conduit	• Existing Pedestal/Padmount with stub.	Existing	Existing	Evergy
7	Conduit	• Existing Pedestal/Padmount without stub: Evergy will install a service stub-out to a Company-selected location for customer connection.	Customer	Evergy	Evergy
7	Conduit	• New Pedestal/Padmount: Customer must provide service stub-outs for all anticipated conduits, oriented toward the projected conduit path and end at the easement.	Customer	Customer	Evergy
8	Conduit		Customer	Customer	Customer
9	Room Internal Meter	• As defined by Standard 8010.0-000.	Customer	Customer	Customer
10	Label Meter Socket	• As defined by Standard 8000.0-001.	Customer	Customer	Customer
11	Meter Socket Modular Main Service Module		Customer	Customer	Customer
12	Meter Socket Modular 3W		Customer	Customer	Customer
13	Evergy Meter 3W 3 High	• Top of finished grade to center of meter height must be 3' 5" to 5' 7".	Evergy	Evergy	Evergy
14	First Means Of Disconnect	• FMD for building. • First Place Neutral and ground can bonded together. • Location not determined by Evergy.	Customer	Customer	Customer



FINISHED GRADE



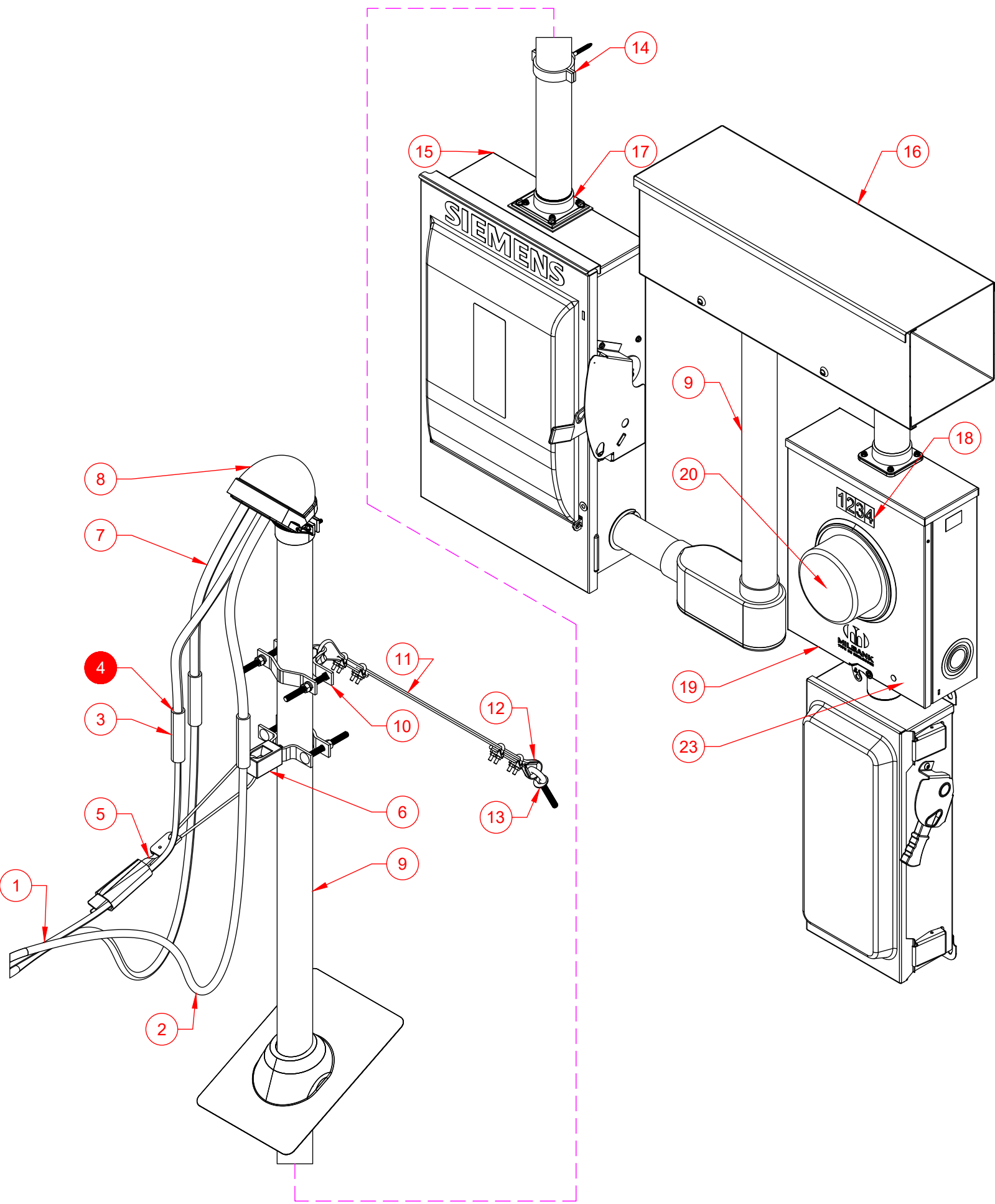
EVERGY  
SERVICE  
STANDARDS

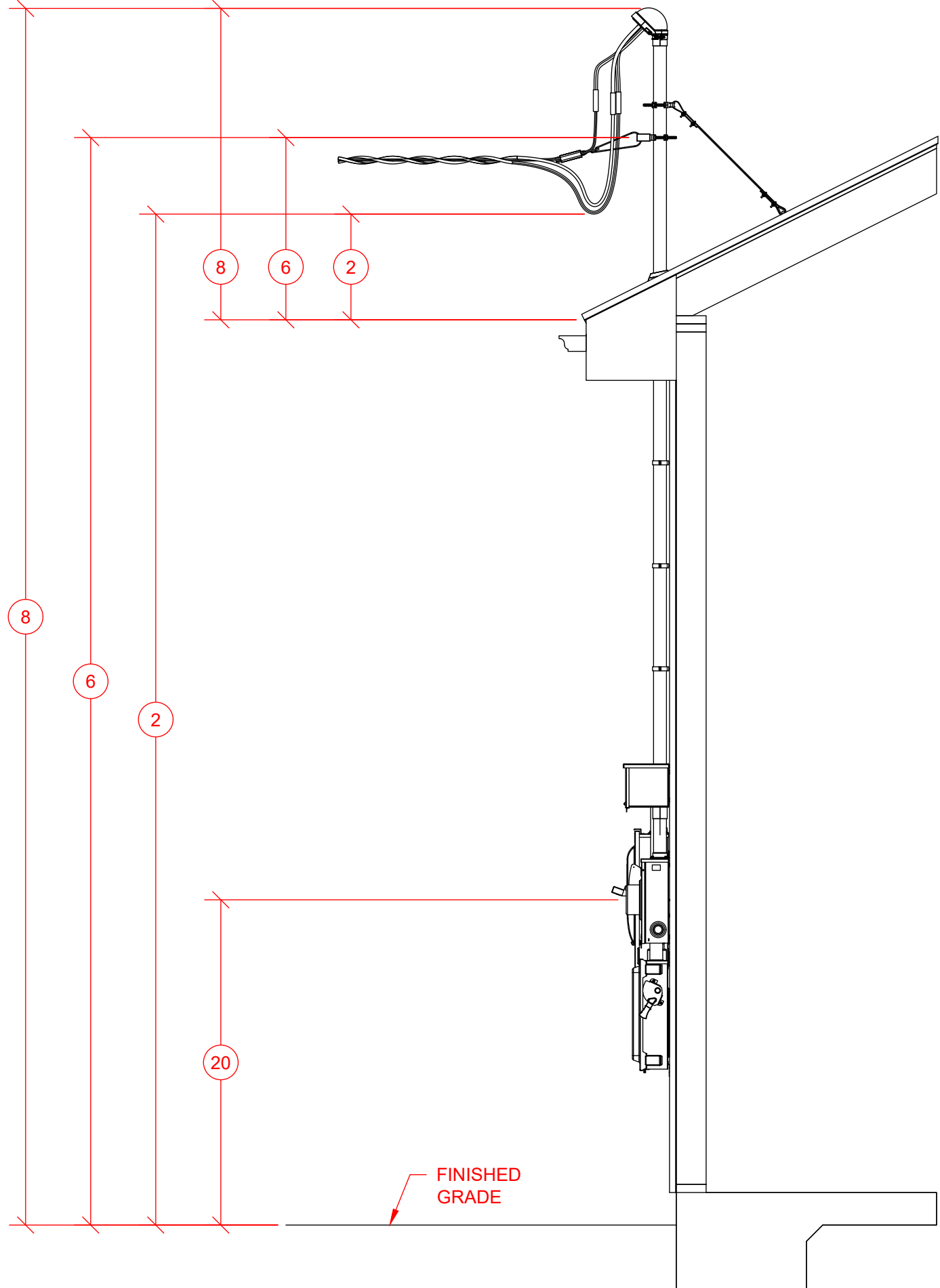
DRAWN  
DATE  
03/20/2026

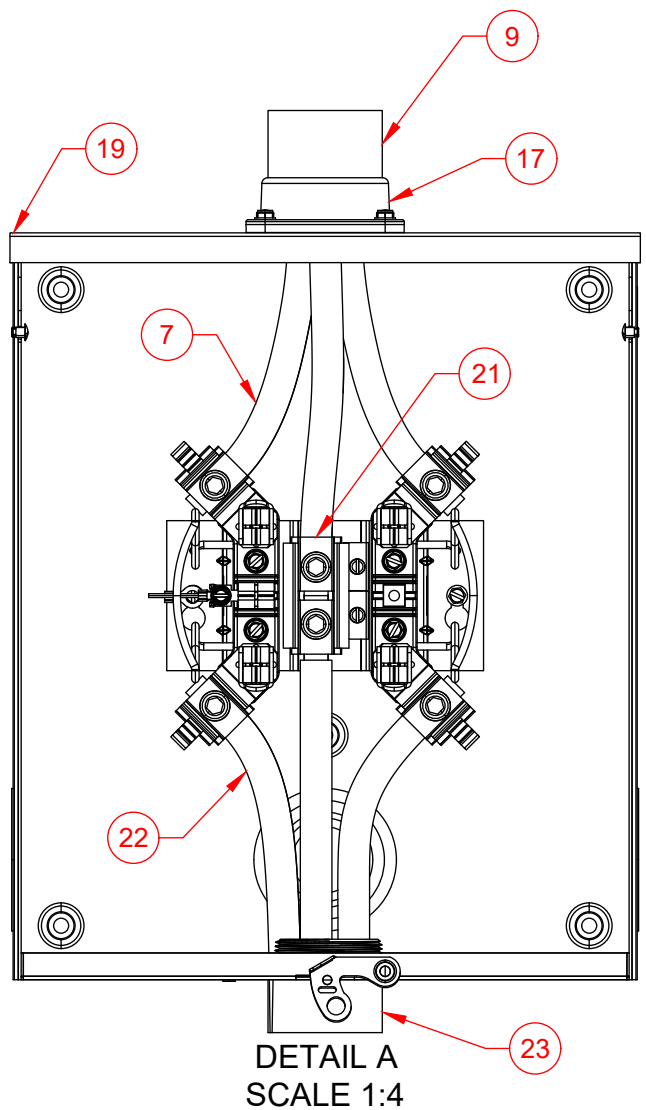
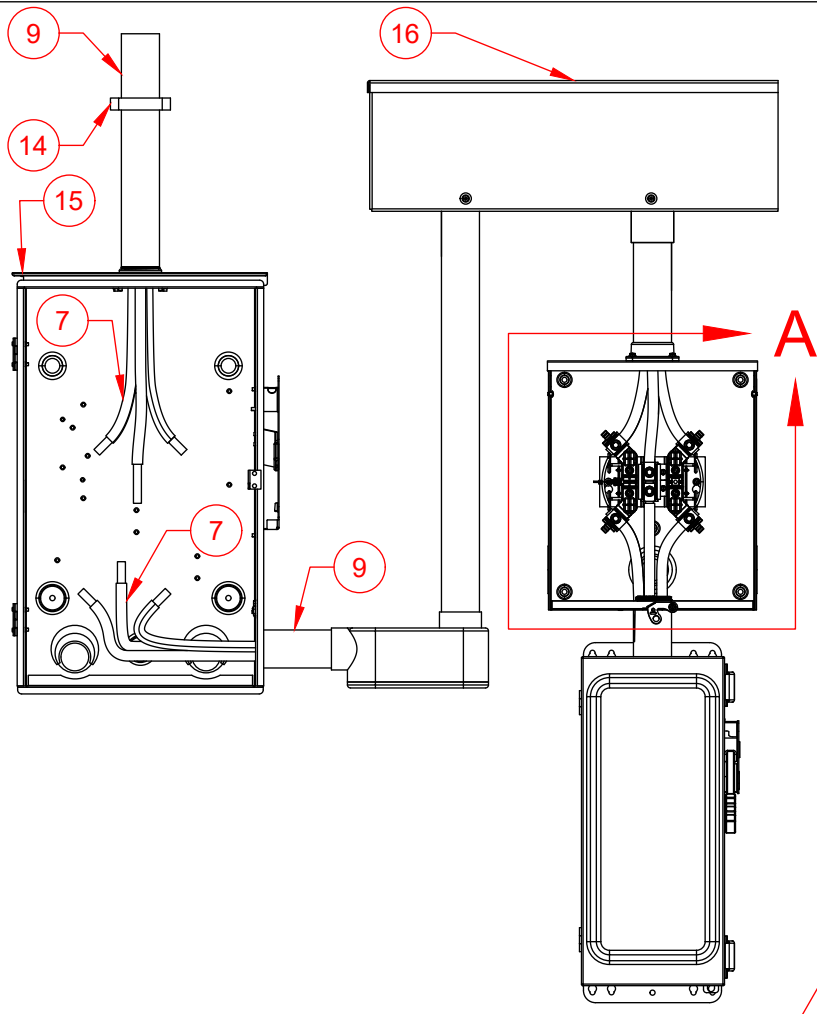
CMOO EXT METER DWELLING MOUNTED THROUGH ROOF GUYED  
SEVEN+ CANS, SINGLE POSITION, TROUGH  
3W 120/208, 200 AMP

8261.76-022

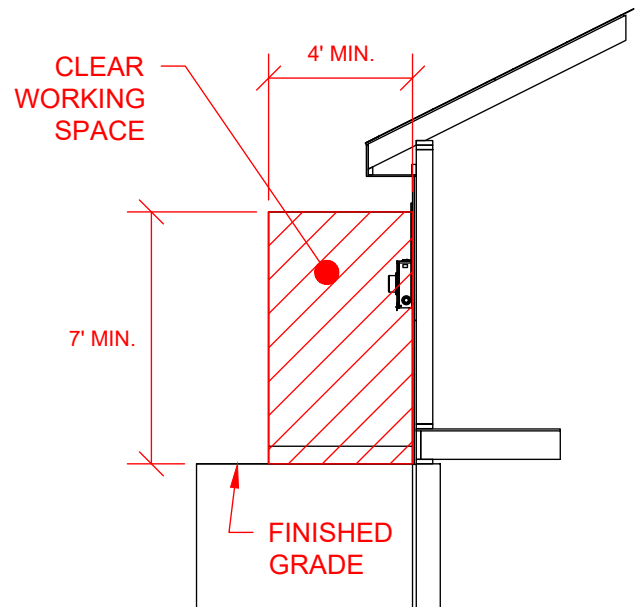
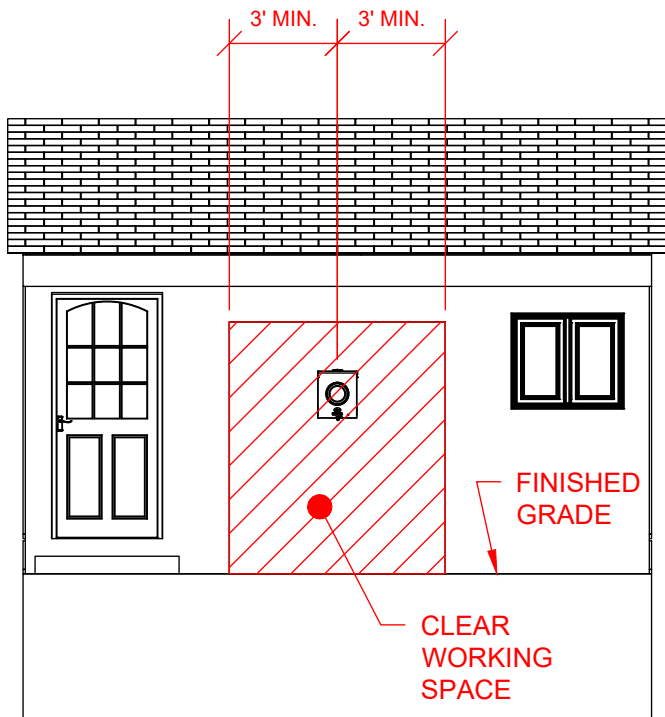
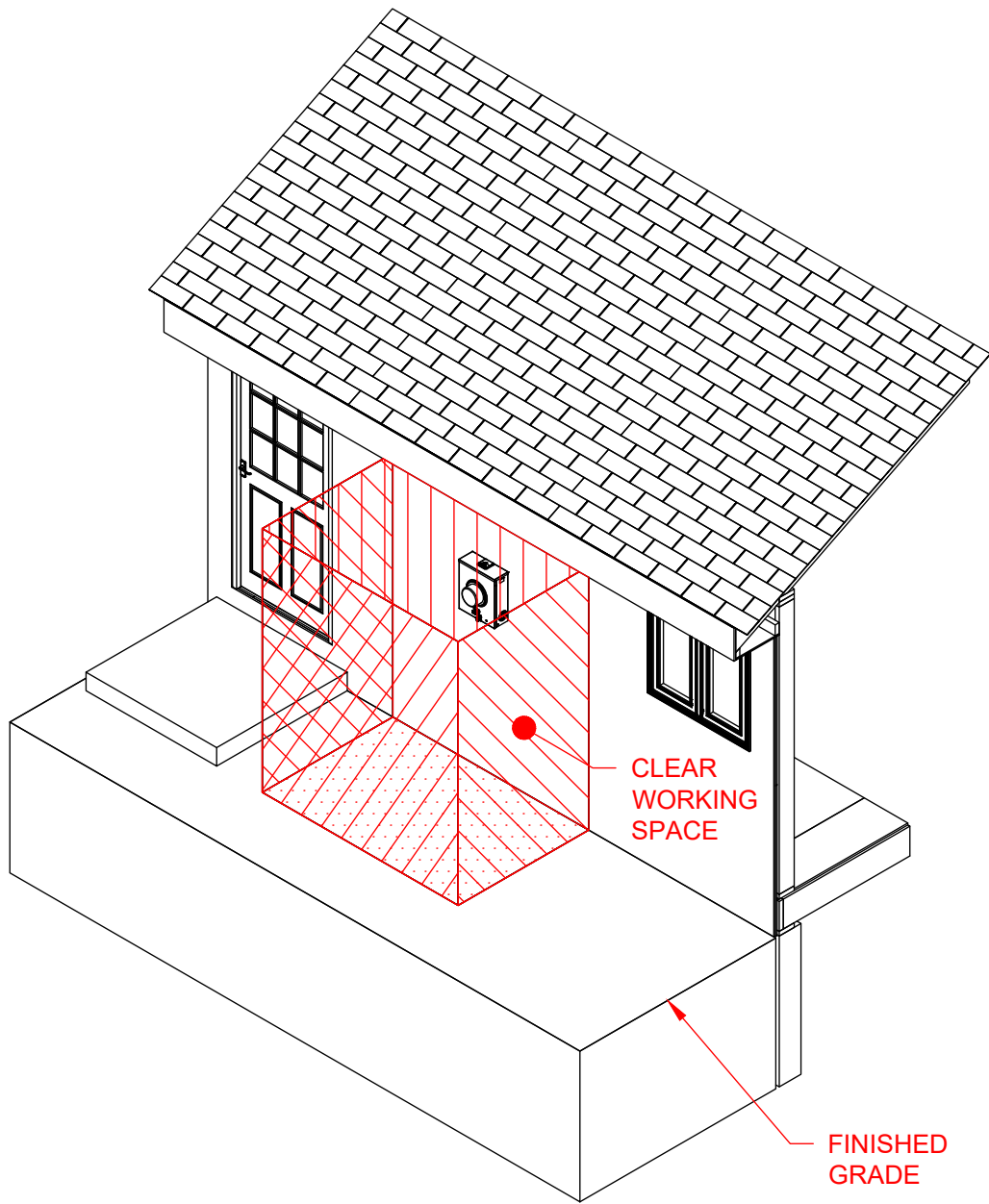
Sheet 1 of 5







Number	Item	Requirement	Provided By	Installed By	Maintained By
1	Service Drop Triplex		Everg	Everg	Everg
2	Drip Loop	<ul style="list-style-type: none"> <li>• Drip loop to top of finished grade 10' minimum.</li> <li>• Drip loop to roof 1' 6" minimum (when applicable).</li> </ul>	Customer	Customer	Customer
3	Service Point (Point of Delivery) Connection		Everg	Everg	Everg
4	<b>Service Point (Point of Delivery)</b>				
5	Clamp Service Drop		Everg	Everg	Everg
6	Point of Attachment When Guyed	<ul style="list-style-type: none"> <li>• Point of attachment to top of finished grade 12' minimum.</li> <li>• Point of attachment to roof 3' maximum.</li> <li>• Point of Attachment to weatherhead 1' minimum.</li> <li>• Support 900 pounds of tension.</li> <li>• One per service drop.</li> <li>• Shall not be attached to a conduit where a coupling is located above the last point of securement.</li> </ul>	Customer	Customer	Customer
7	Service Conductor		Customer	Customer	Customer
8	Weatherhead	<ul style="list-style-type: none"> <li>• Weatherhead to top of finished grade 18' maximum.</li> <li>• Weatherhead to roof 4' maximum (when applicable).</li> </ul>	Customer	Customer	Customer
9	Conduit Service Conductor		Customer	Customer	Customer
10	Attachment Guy Support	• Guying needs to supplement the 900 pound attachment point rating.	Customer	Customer	Customer
11	Guy Wire		Customer	Customer	Customer
12	Thimble Guy Support		Customer	Customer	Customer
13	Bolt Guy Support		Customer	Customer	Customer
14	Conduit Strap	<ul style="list-style-type: none"> <li>• As Required.</li> <li>• Location and quantity not determined by Evergy.</li> </ul>	Customer	Customer	Customer
15	Primary Service Disconnect	<ul style="list-style-type: none"> <li>• The disconnect required when service has more than 6 disconnecting means.</li> <li>• This disconnect is also required for Residential UG feeding a trough.</li> <li>• Neutral lug bonded to enclosure.</li> </ul>	Customer	Customer	Customer
16	Trough		Customer	Customer	Customer
17	Meter Socket Hub		Customer	Customer	Customer
18	Label Meter Socket	• As defined by Standard 8000.0-001.	Customer	Customer	Customer
19	Meter Socket Single Position 3W	<ul style="list-style-type: none"> <li>• Bottom of left side and left of bottom side of meter sockets with UG feeds are reserved for Evergy conductors.</li> <li>• More than 6.</li> </ul>	Customer	Customer	Customer
20	Everg Billing Meter 3W	• Top of finished grade to center of meter height must be 4' 6" to 5' 6".	Everg	Everg	Everg
21	Neutral Location				
22	Service Entrance Conductor		Customer	Customer	Customer
23	Conduit Service Entrance Conductor		Customer	Customer	Customer
24	First Means Of Disconnect	<ul style="list-style-type: none"> <li>• FMD for building.</li> <li>• First Place Neutral and ground can bonded together.</li> <li>• Location not determined by Evergy.</li> </ul>	Customer	Customer	Customer



# General Conduit Installation

## Scope

This document outlines the general conduit installation requirements.

## Pre-Installation Requirements

- Customers must contact utility one-call before trenching.
- The Company must be notified when digging occurs near Company equipment.
- Conduit installation requires Company approval prior to backfill; trenches must remain open until approved. The Company reserves the right to inspect all conduits installation.
- Improper installation must be corrected at the expense of the Customer/Developer.
- Relocation of Company facilities after installation is at the expense of the Customer/Developer.

## Material Requirements

- Conduit must be NEMA TC-2 and NEC approved:
  - UL listed rigid schedule 40 gray PVC
  - HDPE (high density polyethylene) schedule 40 or SDR 13.5 black with red stripe
  - These requirements also apply to riser conduits.
- PVC elbows must be 36" radius for all service bends.
- PVC joints must be glued with PVC cement; HDPE joints require proper fittings.
  - Bands, clamps, or pre glued PVC under tension are not allowed.
  - Pre-glued PVC prior to installation or pulled/plowed under tension will not be accepted.
  - PVC couplers or bell joints must be adhered using an HDPE-rated epoxy.
  - Couplers must be fully glued on with epoxy per manufacturer instructions. Mechanical fastening alone is not permitted.

## Installation Practices

- Open conduit ends must be capped or taped closed to prevent debris and wildlife entry.
- Backfill must be clean, tamped, and handled carefully to avoid conduit damage.
  - Backfill shall include dome top for settling or compaction to 95% maximum density (Proctor–ASTM D698).
  - Backfill must not contain rocks larger than 3" in their greatest dimension.
- Red danger tape must be installed 6"–12" below final grade.


## Conduit Placement Requirements

- Conduit must be located where it is subject to the least disturbance.
- Electrical conduit shall be installed to maintain minimum radial clearance from other underground utilities as follows:
  - 18 inches from any utility owned non-gas conduit systems (e.g., communications, water, or fiber).
  - 24 inches from utility owned gas facilities.
  - 30 inches from non-utility owned systems.
- Electrical conduit shall not be installed directly above, directly below, or parallel to other cables, conduit systems, or underground facilities.
  - Where unavoidable, electrical conduit may cross over or under existing utility facilities, provided the vertical separation at the crossing maintains the required minimum radial clearance.
- Cables must not be installed directly under buildings, storage tanks, or foundations unless approved by the Company.

- If necessary, the distance between the top of conduit and the surface above must exceed the Company's minimum required depths to be sufficient to protect from expected surface loading.

**Environmental and Site Considerations**

- In areas prone to flooding or high-water tables, additional protection may be required:
  - Watertight conduit
  - Elevated junction boxes
  - Other measures per NEC Article 300 and local codes
- Installations must consider soil conditions, water exposure, and potential future surface use to ensure conduit protection.

	EVERGY SERVICE STANDARDS	DRAWN DATE 4/9/2026	PFD CONDUIT GENERAL APPLICATION	<b>9520.0-000</b> Sheet 2 of 2
--	--------------------------------	---------------------------	---------------------------------------	-----------------------------------

# Primary and Secondary Conduit Installation

## **Scope**

This document outlines the requirements and parameters for primary and secondary conduit installation within Evergy's service territory. Ductbanks are not addressed in this document.

## **Installation Requirements**

### **Depth and Alignment**

- Minimum depths – 41" to top of conduit.
  - Different depths may be required for switchgears, sectionalizing cabinets, pedestals, etc.
- Depths must be met at final grade after settling.
- The conduit bends shall conform to those provided by the Company design.

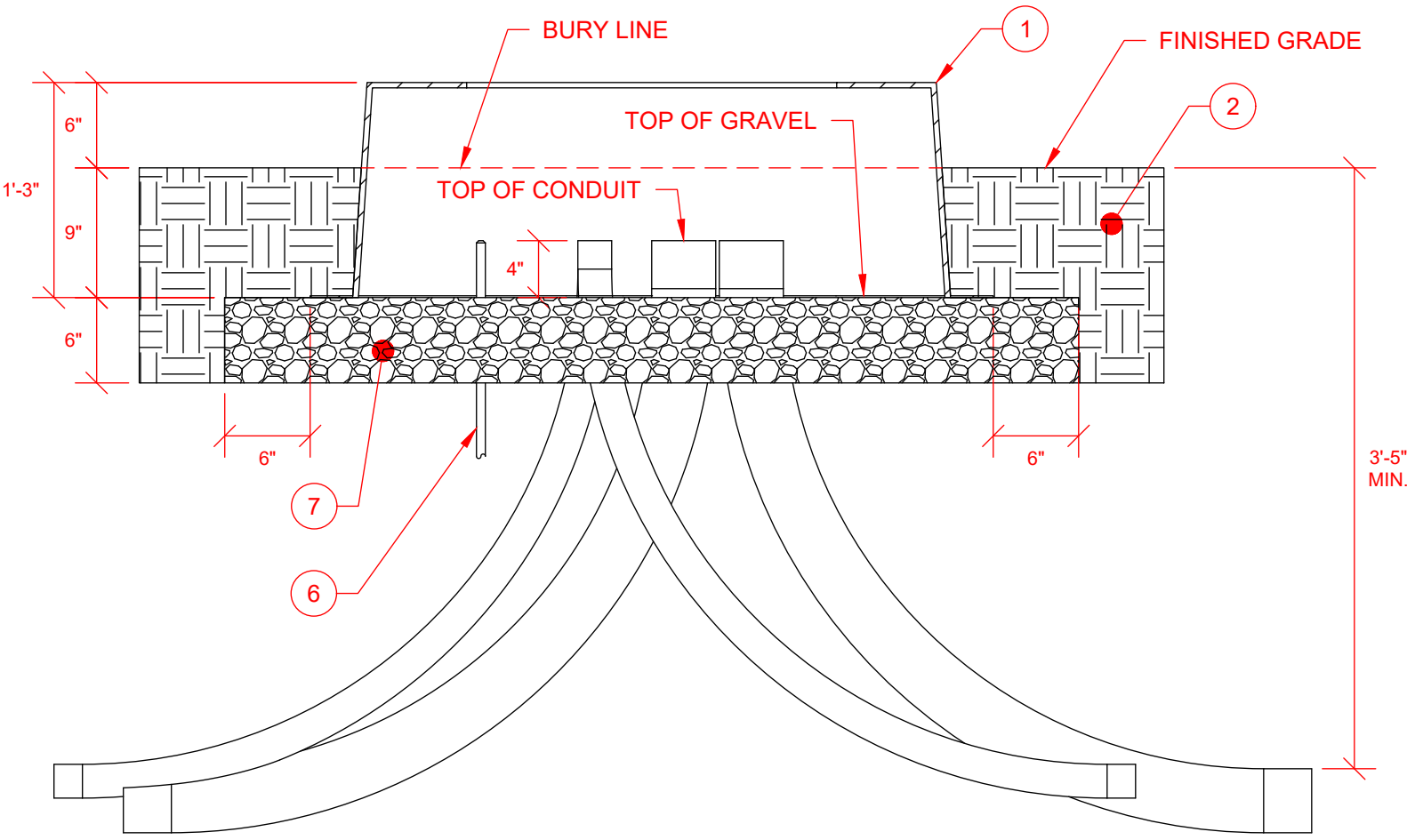
### **Pull Tape**

Install polyester pull tape (1200 lbs strength) in all conduits.

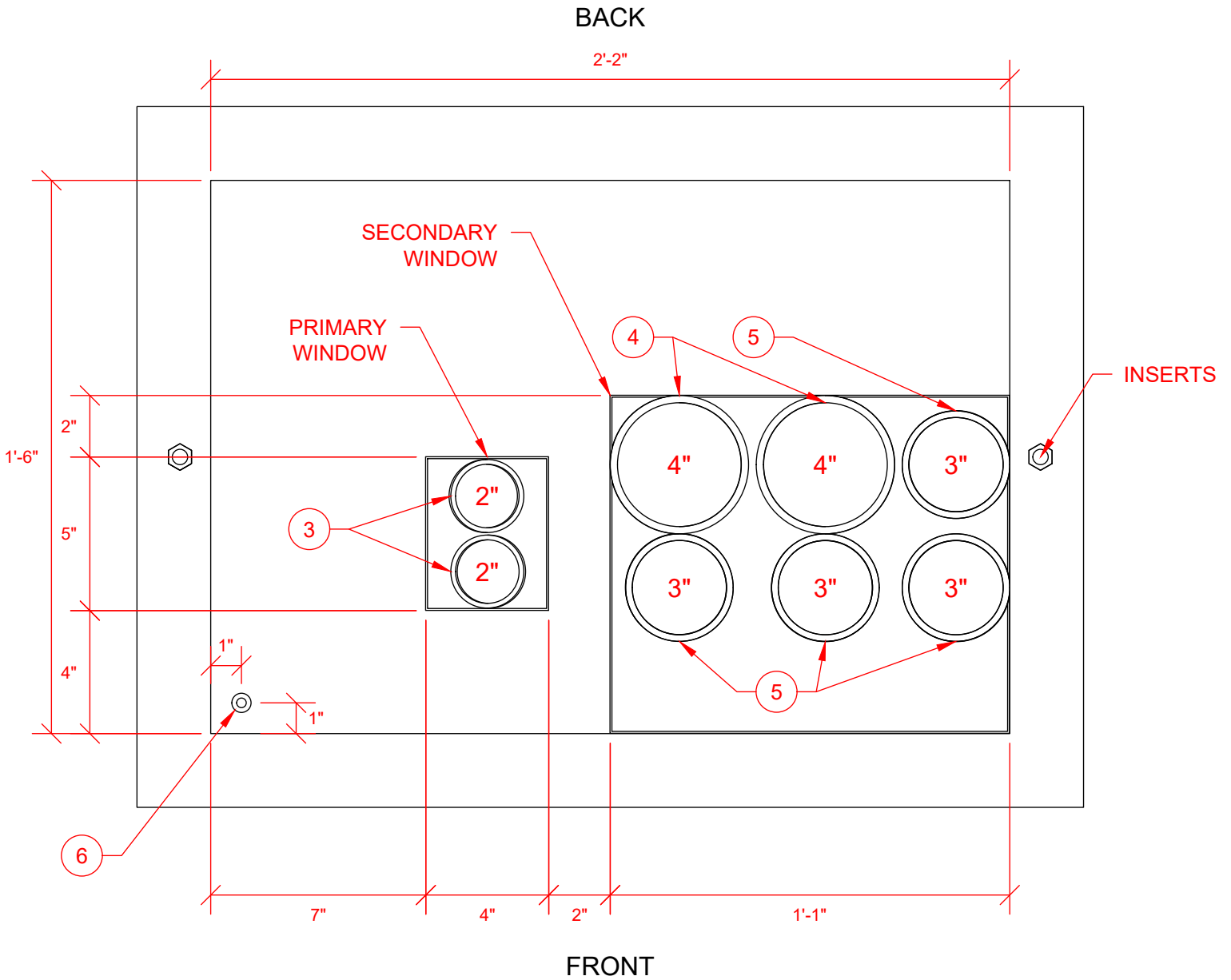
- If pull tape breaks, it is the responsibility of the Customer/Developer to pull in a new one.

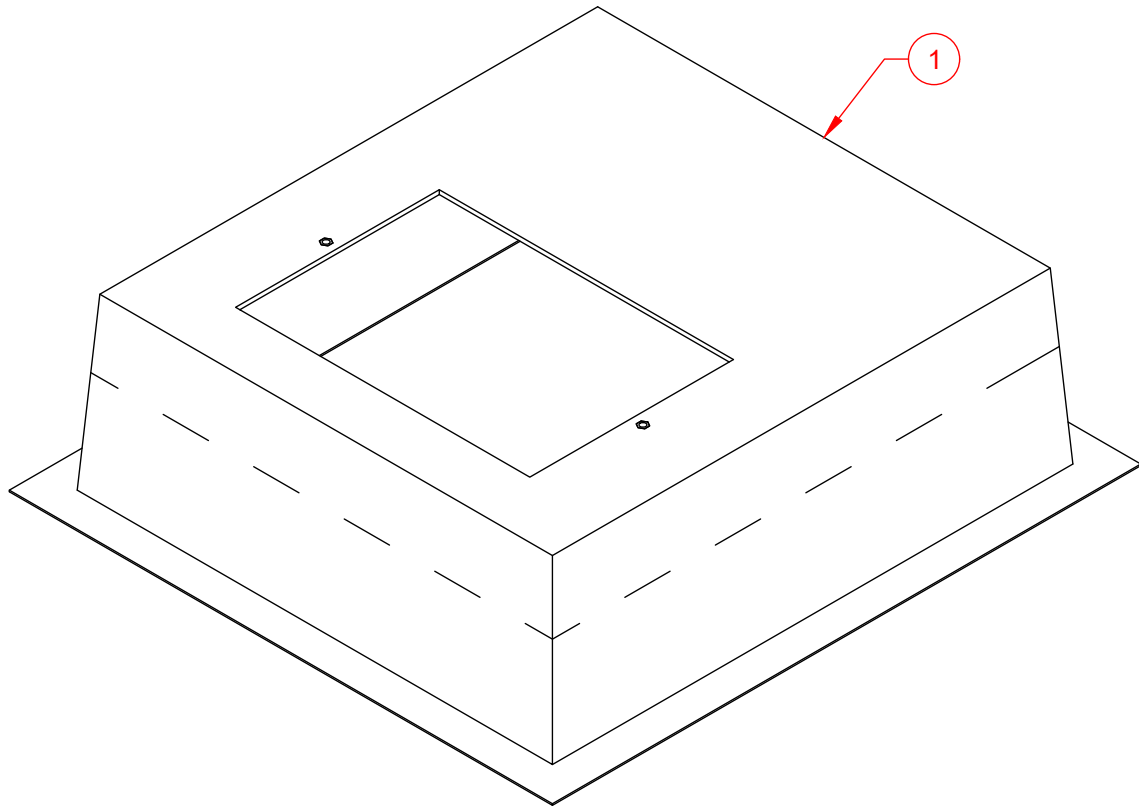
### **Sizing and Approved Materials**

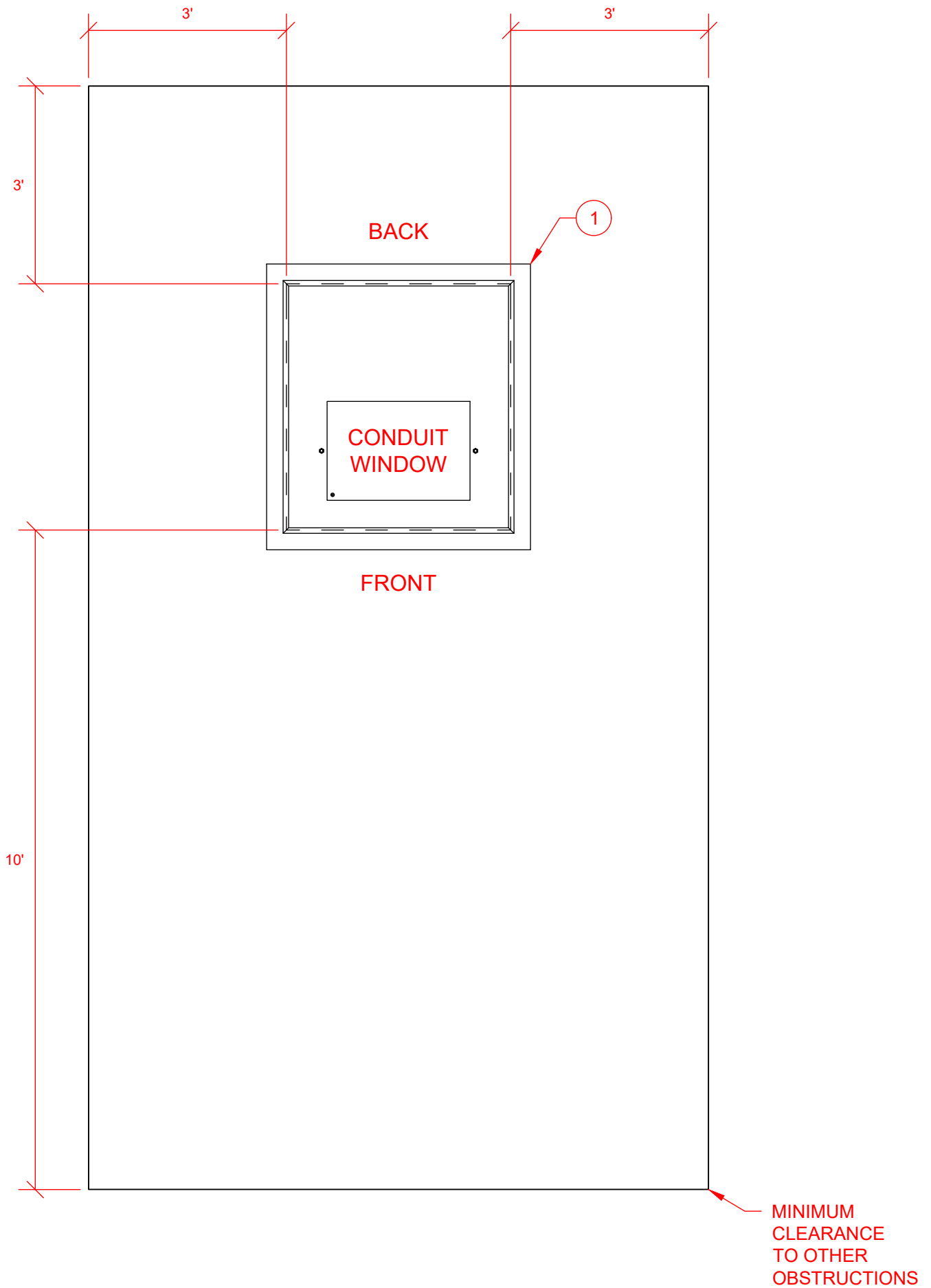
- The company will dictate conduit sizes to be used.



# CONDUIT WINDOW

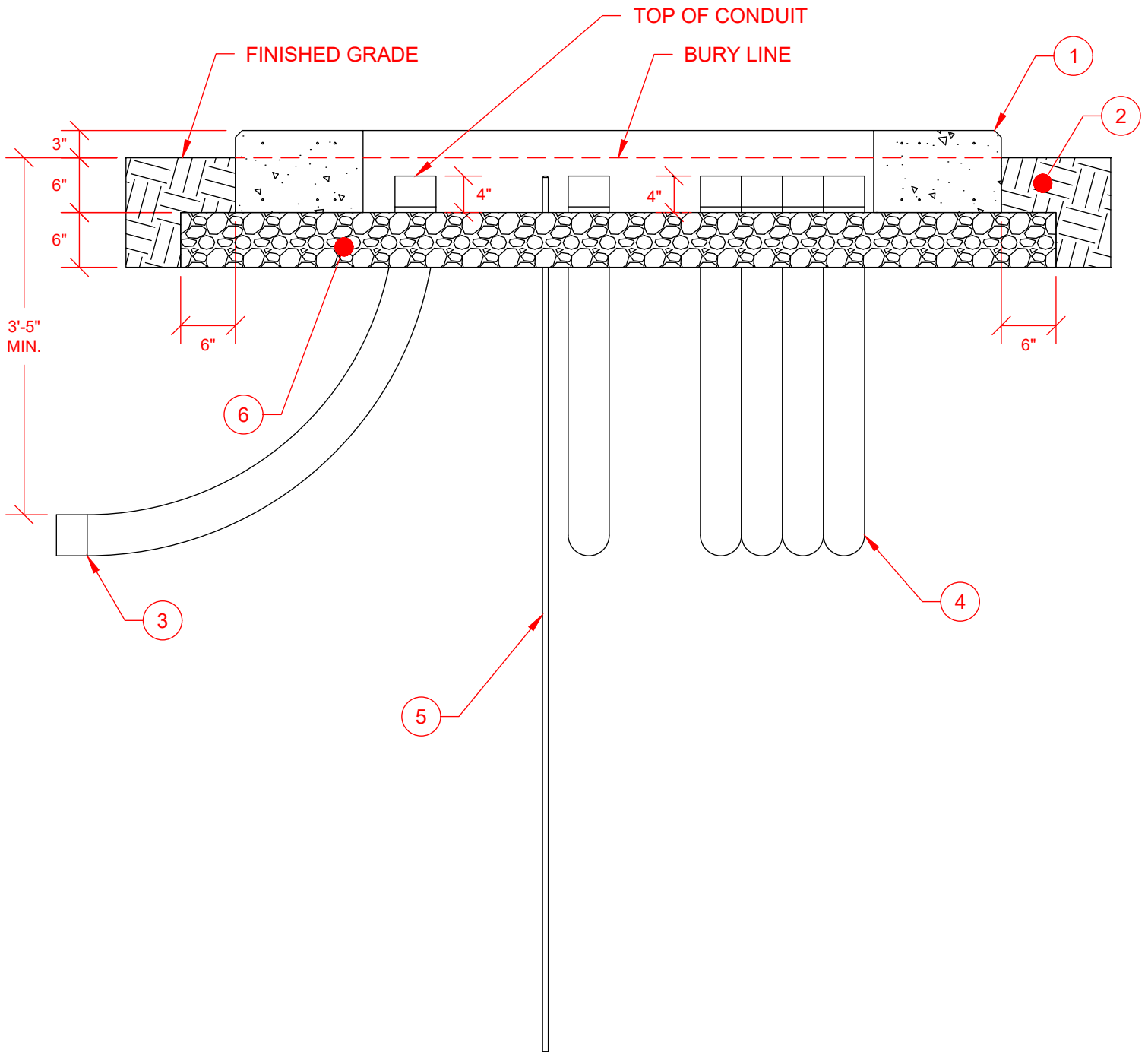




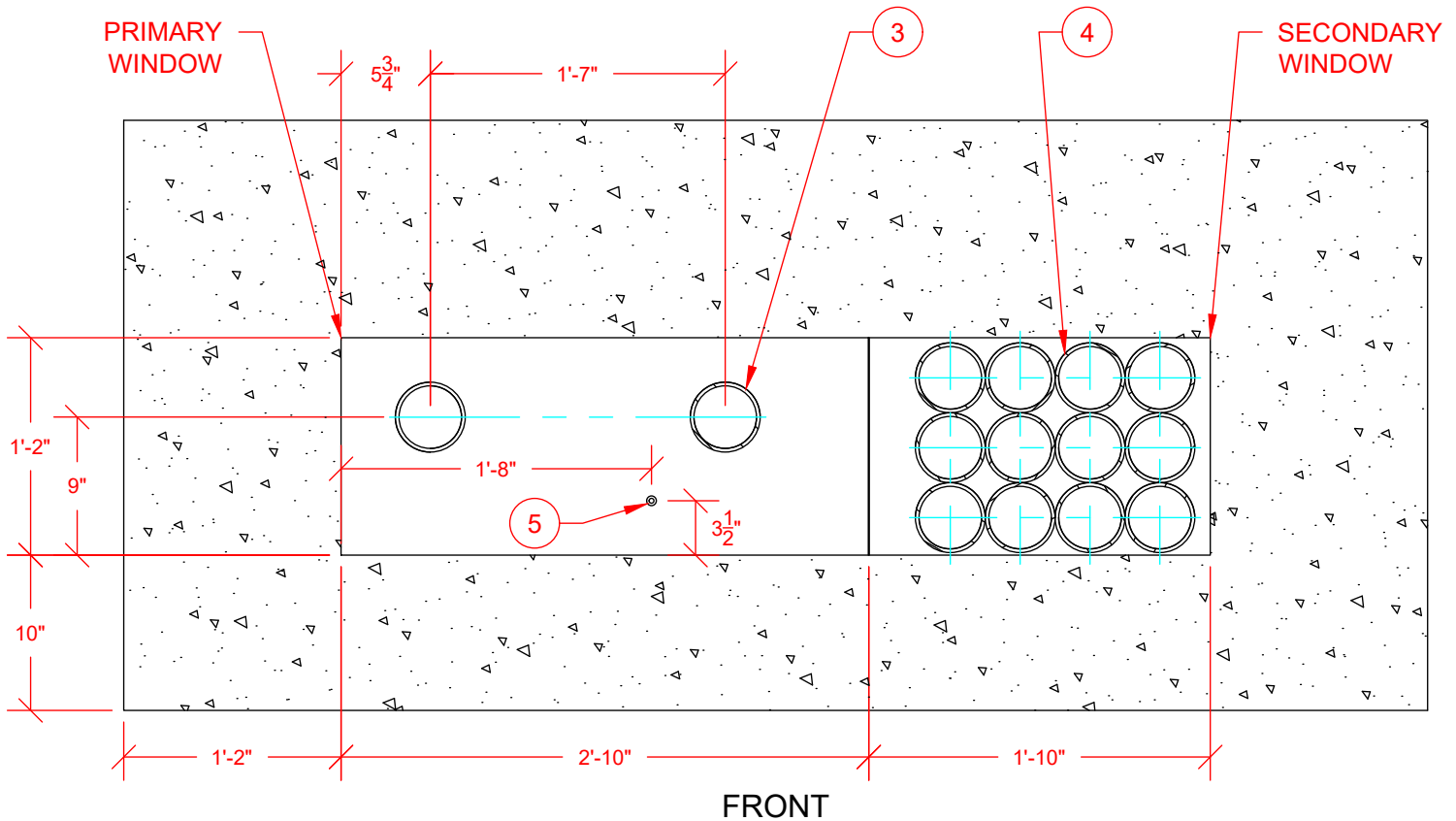
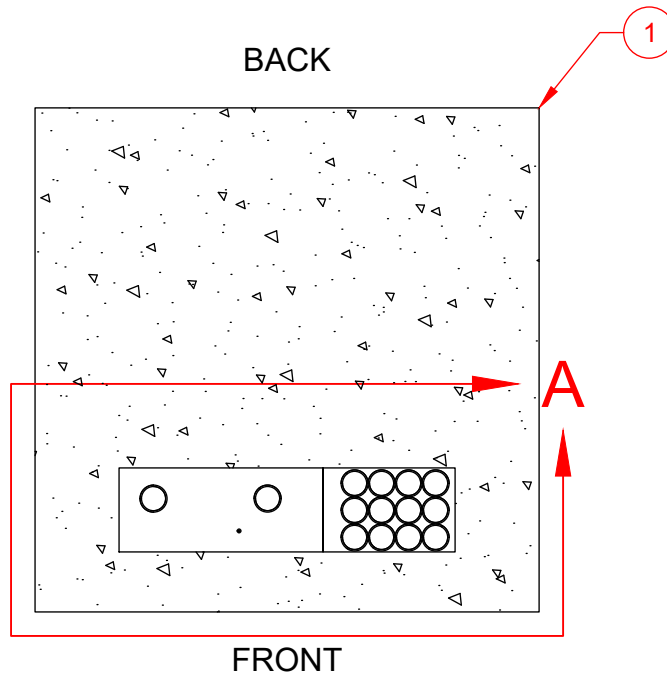


Number	Item	Requirement	Provided By	Installed By	Maintained By
1	Foundation Transformer		Evergy	Customer	Evergy
2	Backfill	• Backfill compacted to ASTM standard # Backfill should include dome top for settling or compaction to 95% maximum density (Proctor-ASTM D698).	Customer	Customer	Customer
3	Bend Conduit	• Single Phase Conduit.	Customer (Initial)	Customer	Evergy
4	Bend Conduit	• Secondary Conduit.	Customer (Initial)	Customer	Evergy
5	Bend Conduit	• Service Conduit.	Customer	Customer	Customer
6	Grounding Electrode		Evergy	Customer	Evergy
7	Gravel AB3		Customer	Customer	Customer

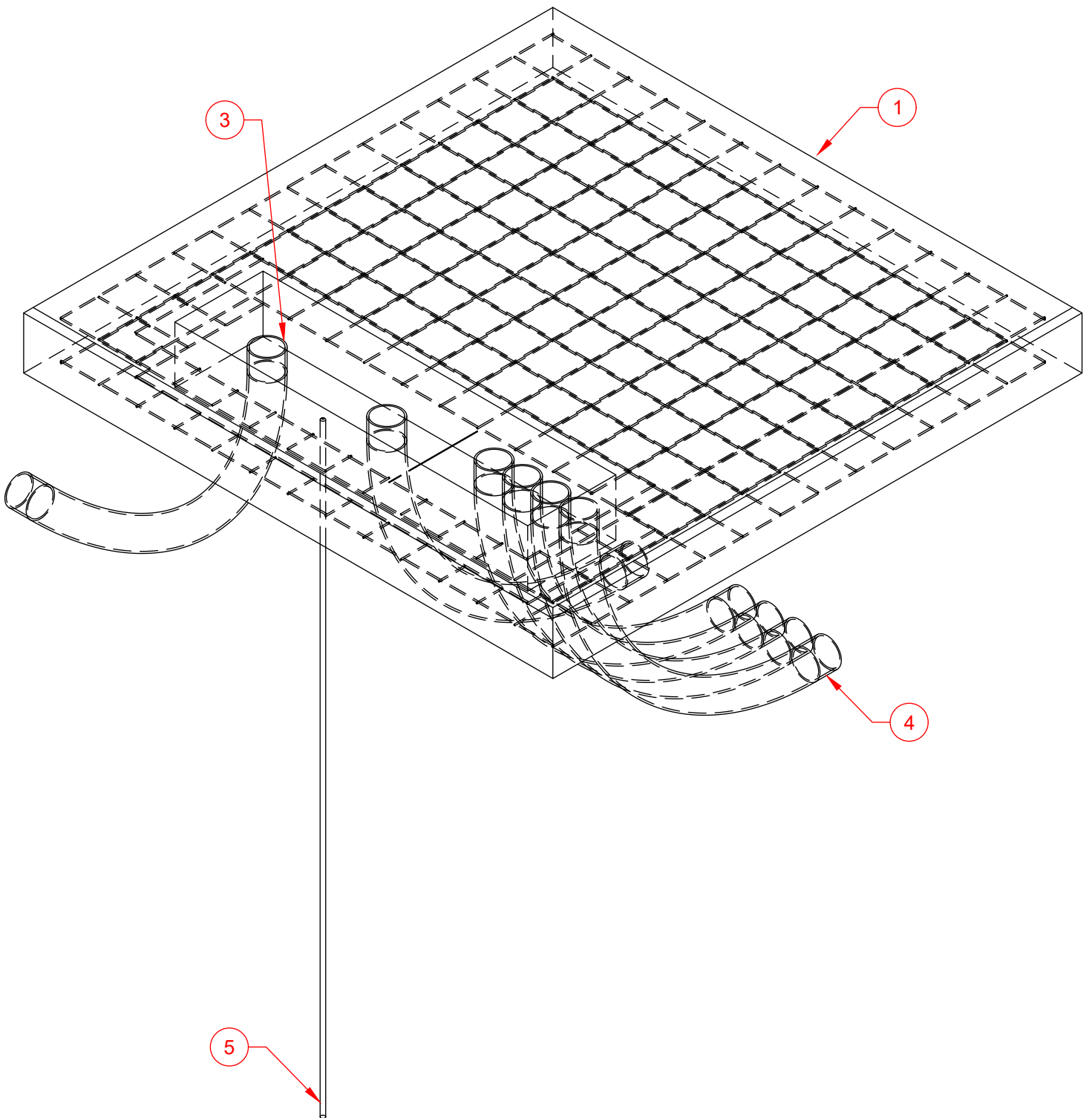


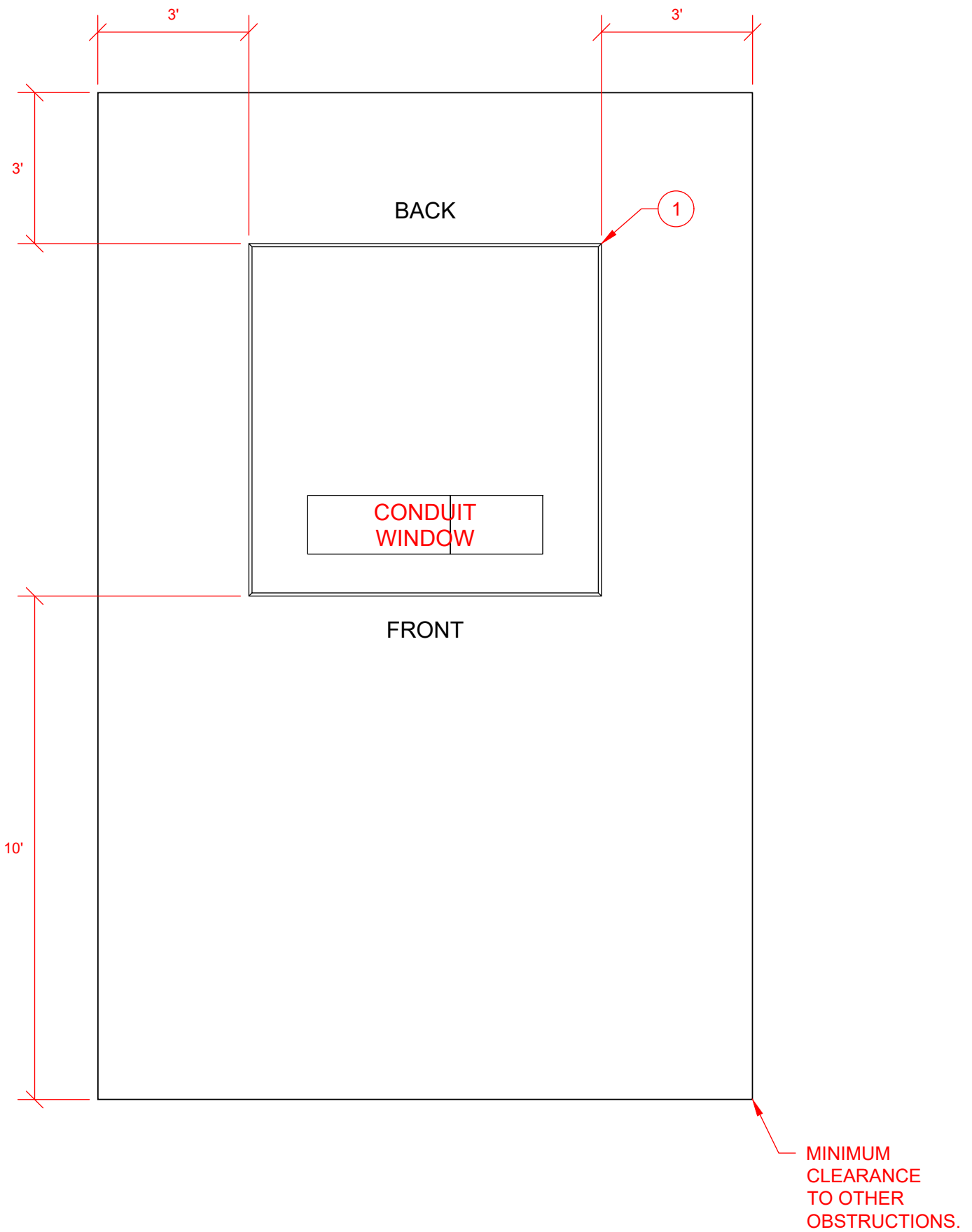


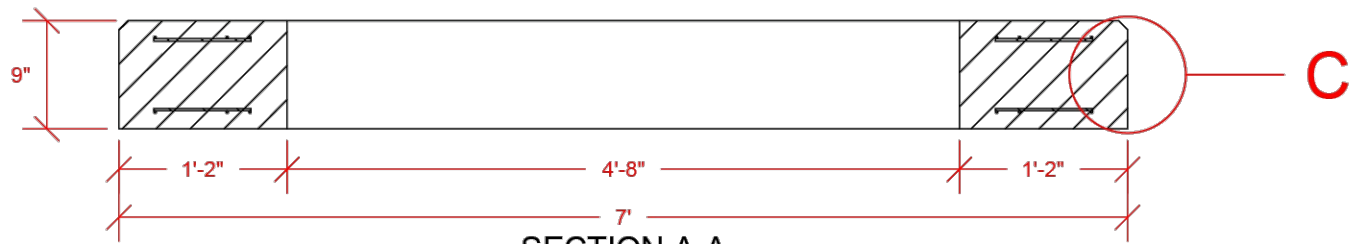
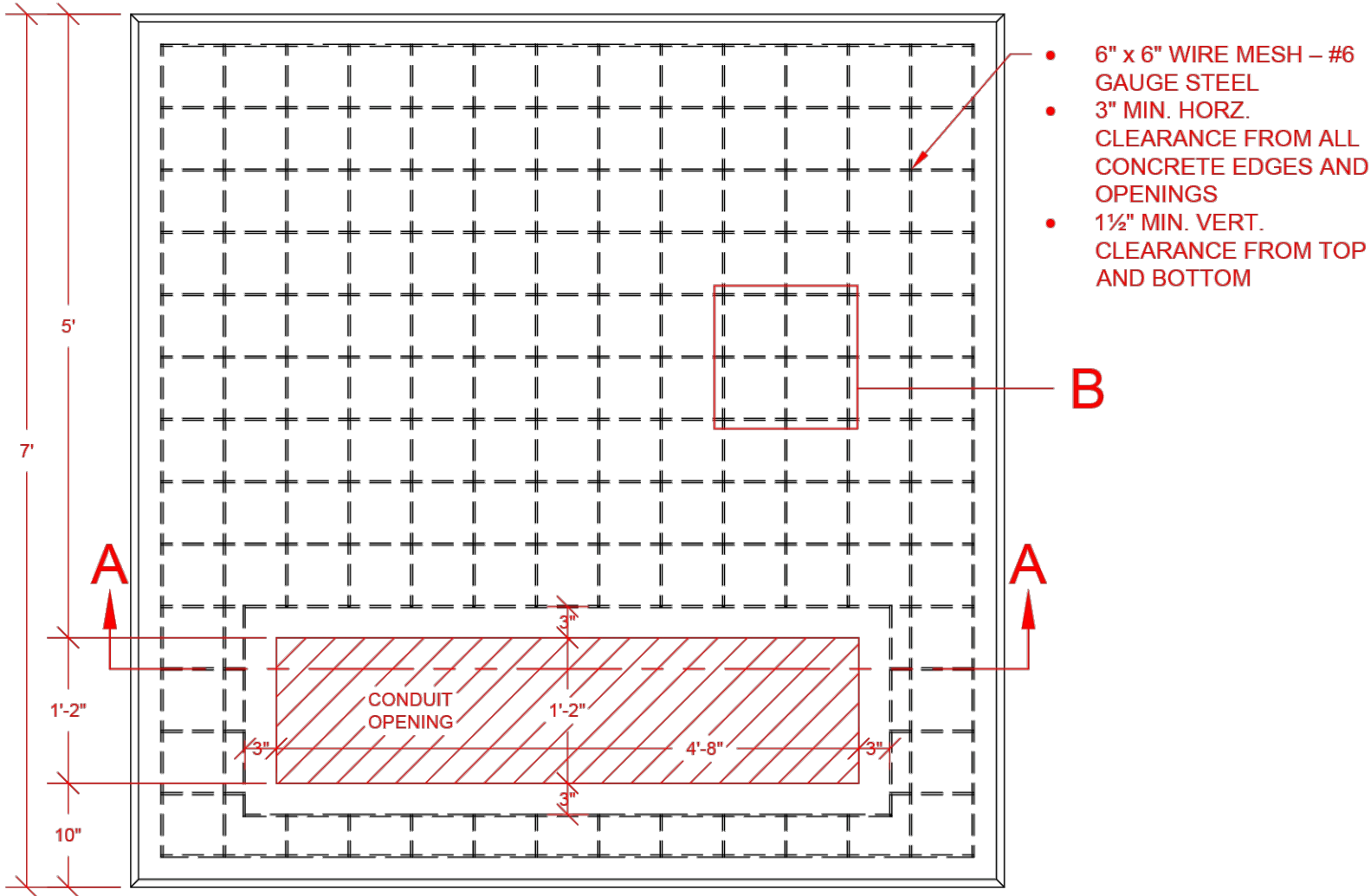
CONDUIT WINDOW



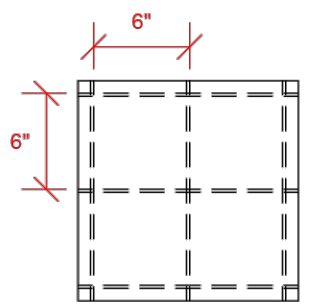
FRONT  
 DETAIL A  
 SCALE 1" = 1'-0"



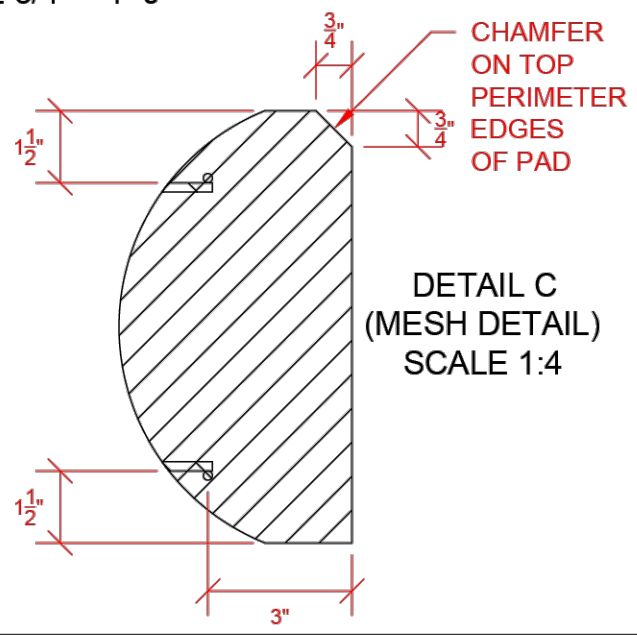




SECTION A-A  
SCALE 3/4" = 1'-0"



DETAIL B  
SCALE 1" = 1'-0"



DETAIL C  
(MESH DETAIL)  
SCALE 1:4

Number	Item	Requirement	Provided By	Installed By	Maintained By
1	Foundation Transformer		Customer	Customer	Customer
2	Backfill	• Backfill compacted to ASTM standard # Backfill should include dome top for settling or compaction to 95% maximum density (Proctor-ASTM D698).	Customer	Customer	Customer
3	Bend Conduit	• Three Phase Conduit.	Customer (Initial)	Customer	Evergy
4	Bend Conduit	• Service Conduit.	Customer	Customer	Customer
5	Grounding Electrode		Customer	Customer	Customer
6	Gravel AB3		Customer	Customer	Customer



EVERGY  
SERVICE  
STANDARDS

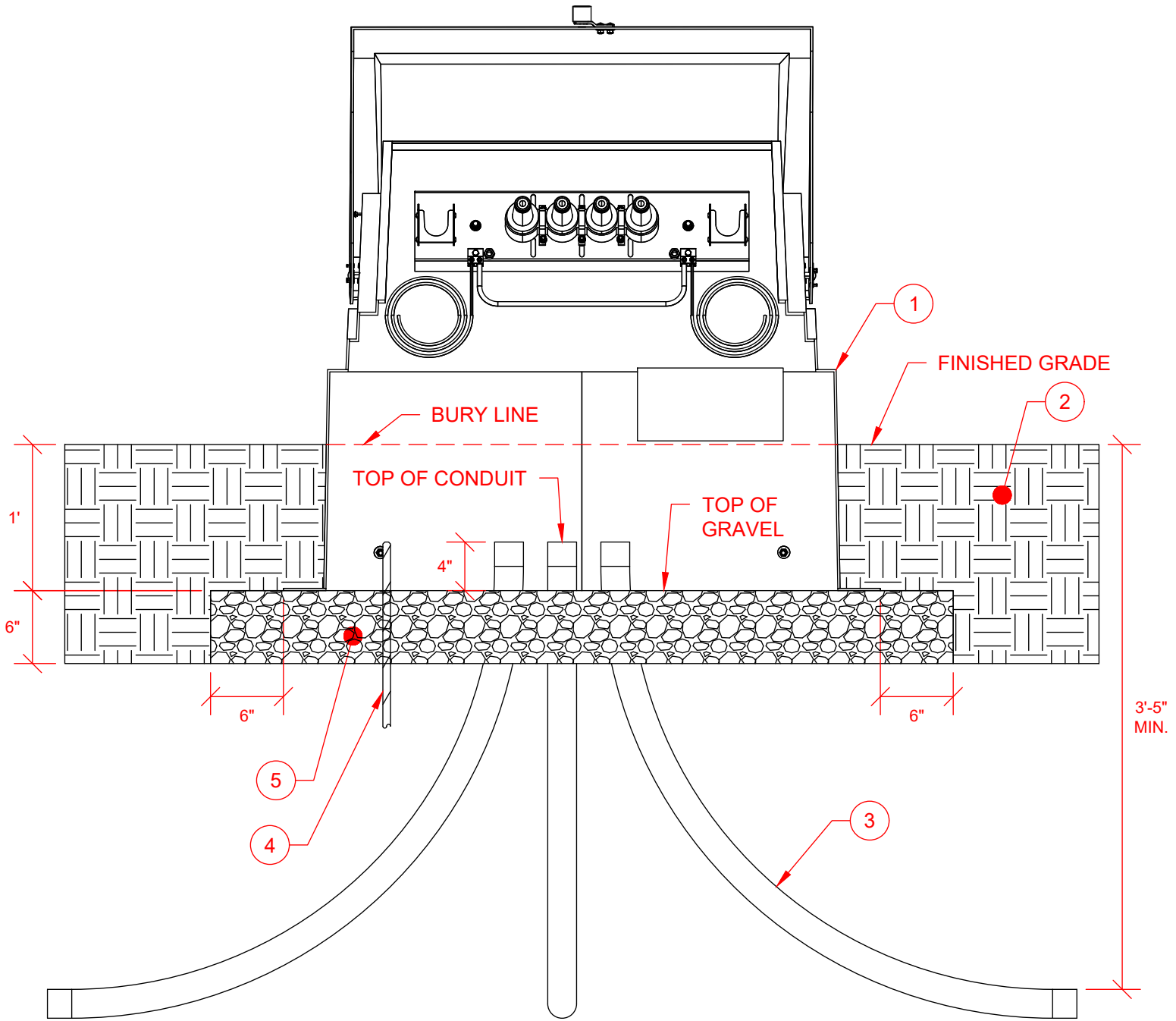
DRAWN  
DATE

4/7/2026

PFD EQUIPMENT  
TRANSFORMER  
3P <= 500 KVA POUR IN PLACE

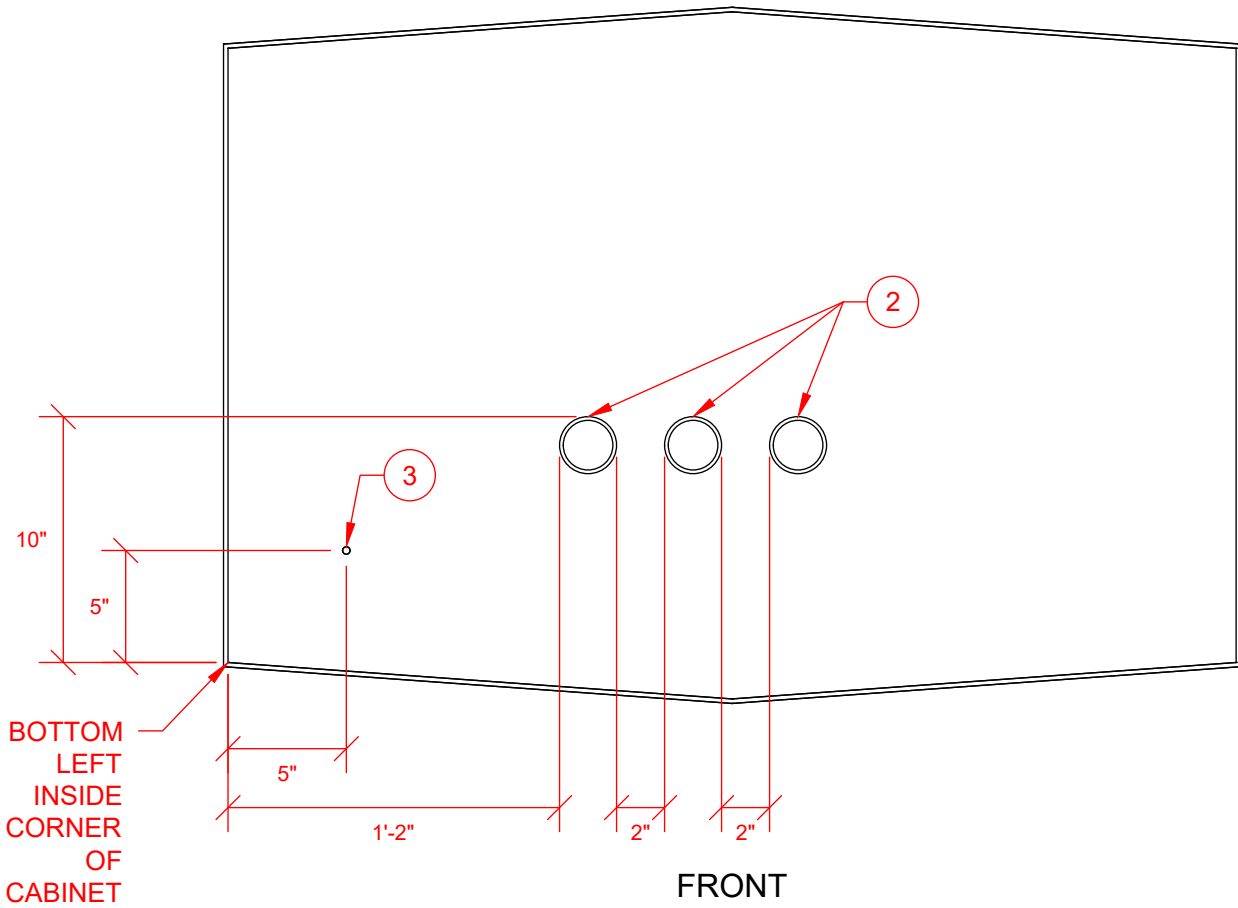
**9550.57-313**

Sheet 6 of 6

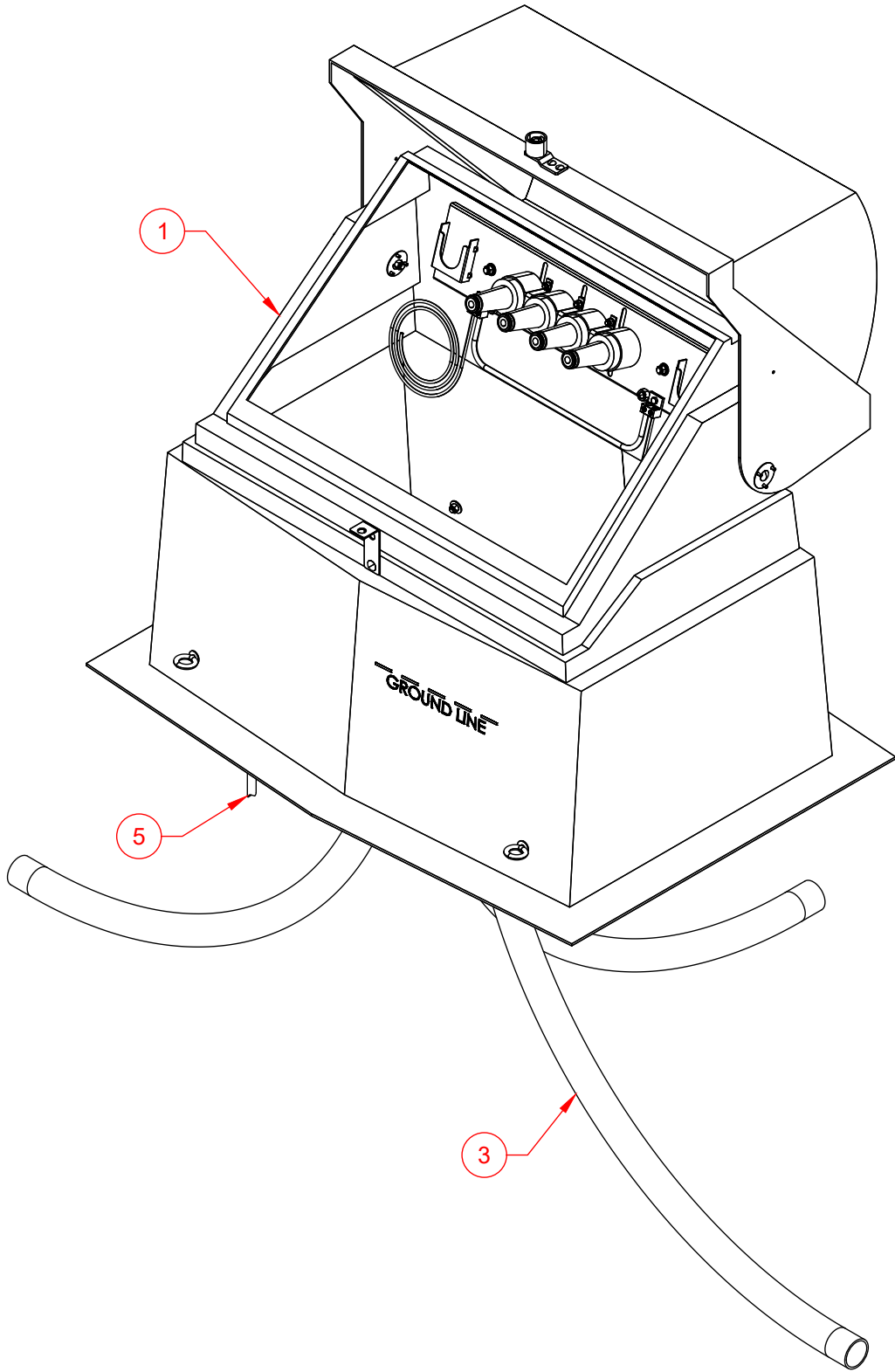


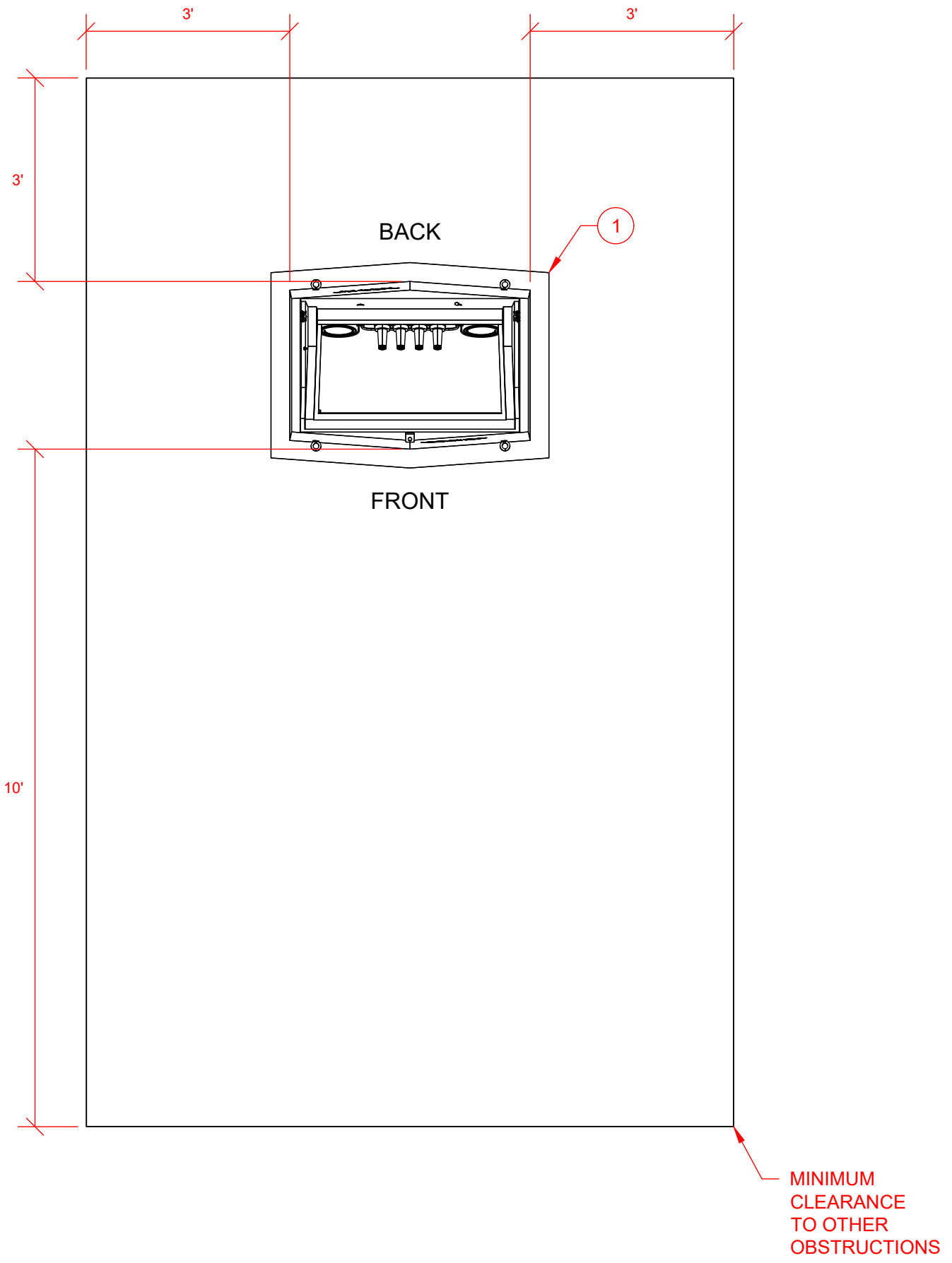
# CONDUIT WINDOW

BACK



FRONT





Number	Item	Requirement	Provided By	Installed By	Maintained By
1	Sectionalizing Cabinet		Evergy	Customer	Evergy
2	Backfill	• Backfill compacted to ASTM standard # Backfill should include dome top for settling or compaction to 95% maximum density (Proctor-ASTM D698).	Customer	Customer	Customer
3	Bend Conduit	• Single Phase Conduit.	Customer (Initial)	Customer	Evergy
4	Grounding Electrode		Evergy	Customer	Evergy
5	Gravel AB3		Customer	Customer	Customer



EVERGY  
SERVICE  
STANDARDS

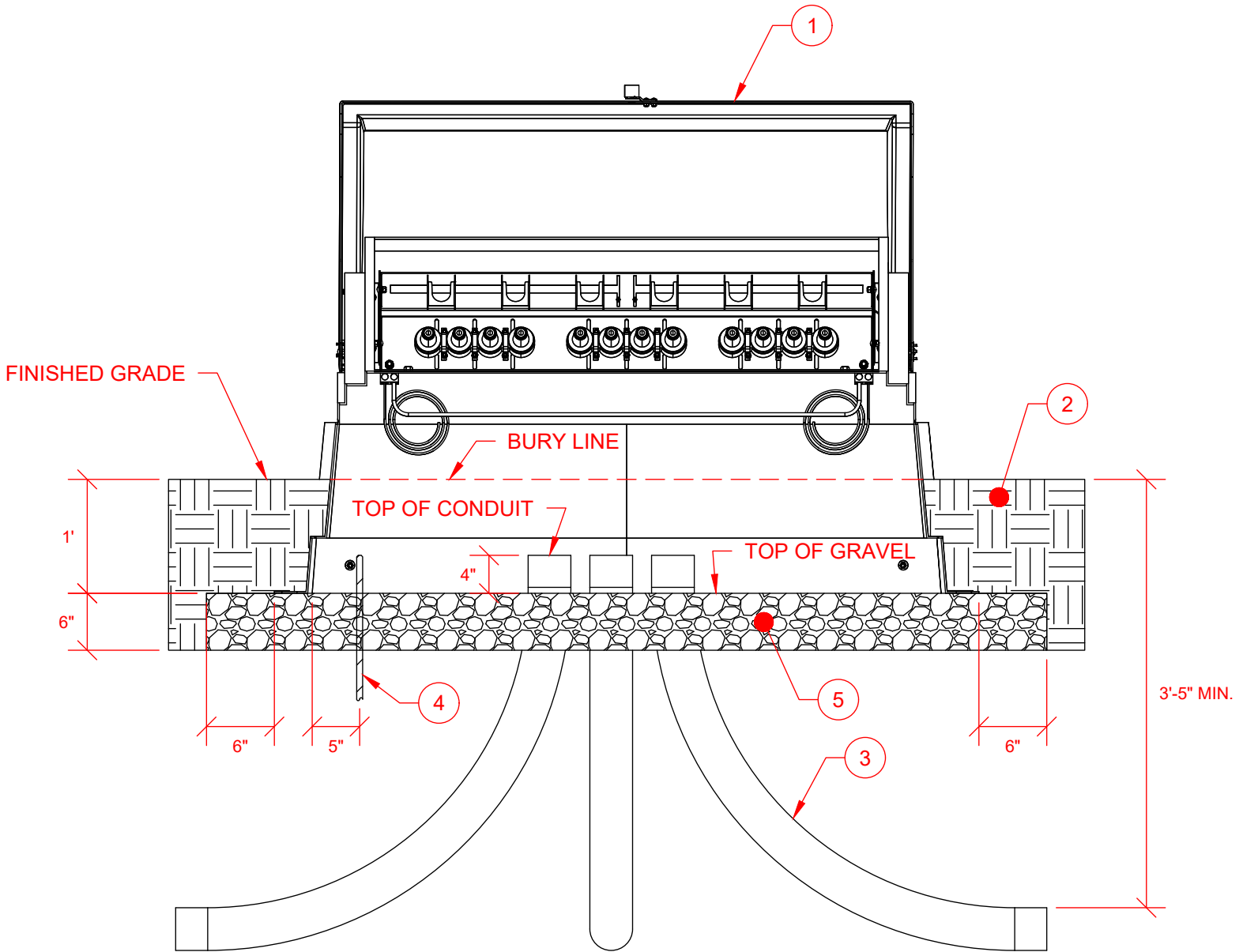
DRAWN  
DATE

4/7/2026

PFD EQUIPMENT  
SECTIONALIZING CABINET  
1P 200 AMP SURFACE MOUNT 15KV

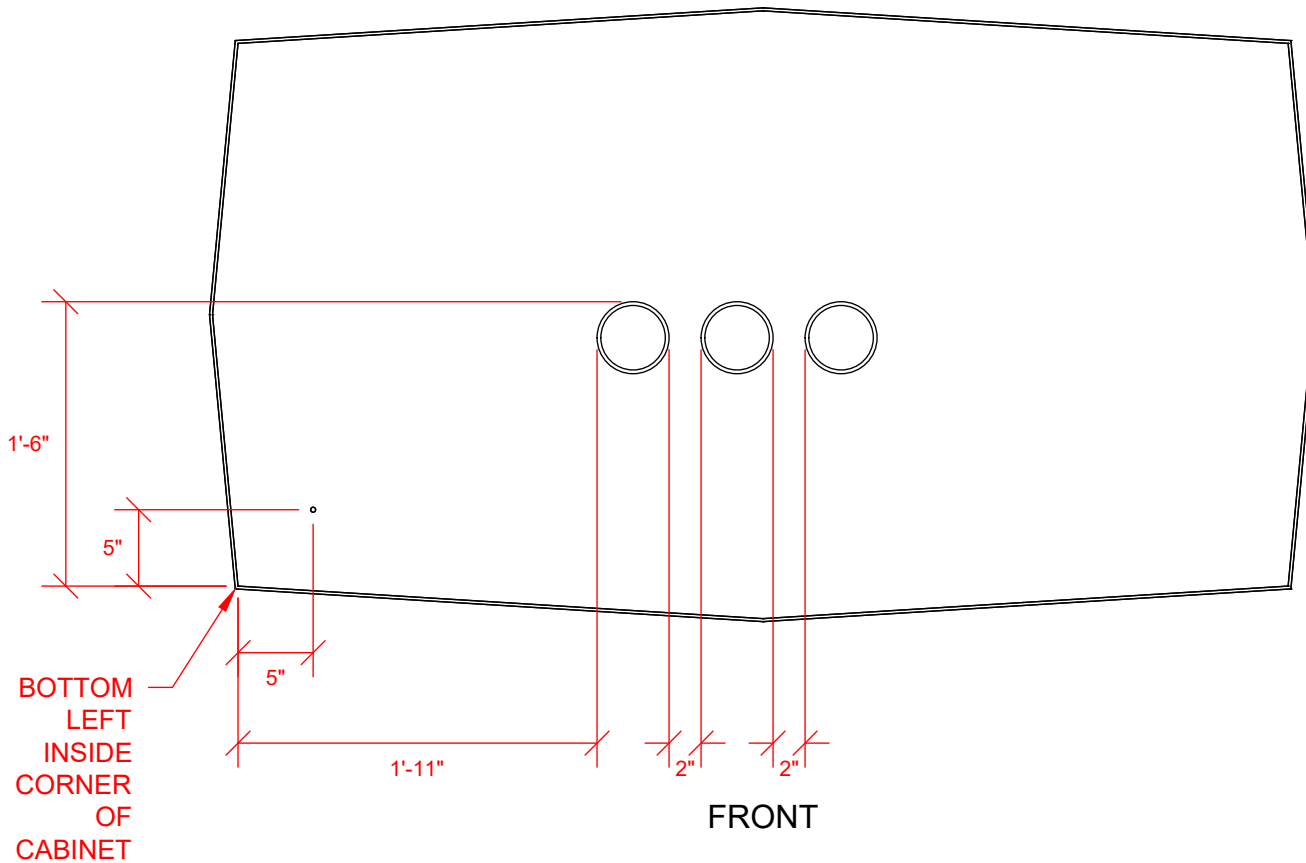
**9550.42-121**

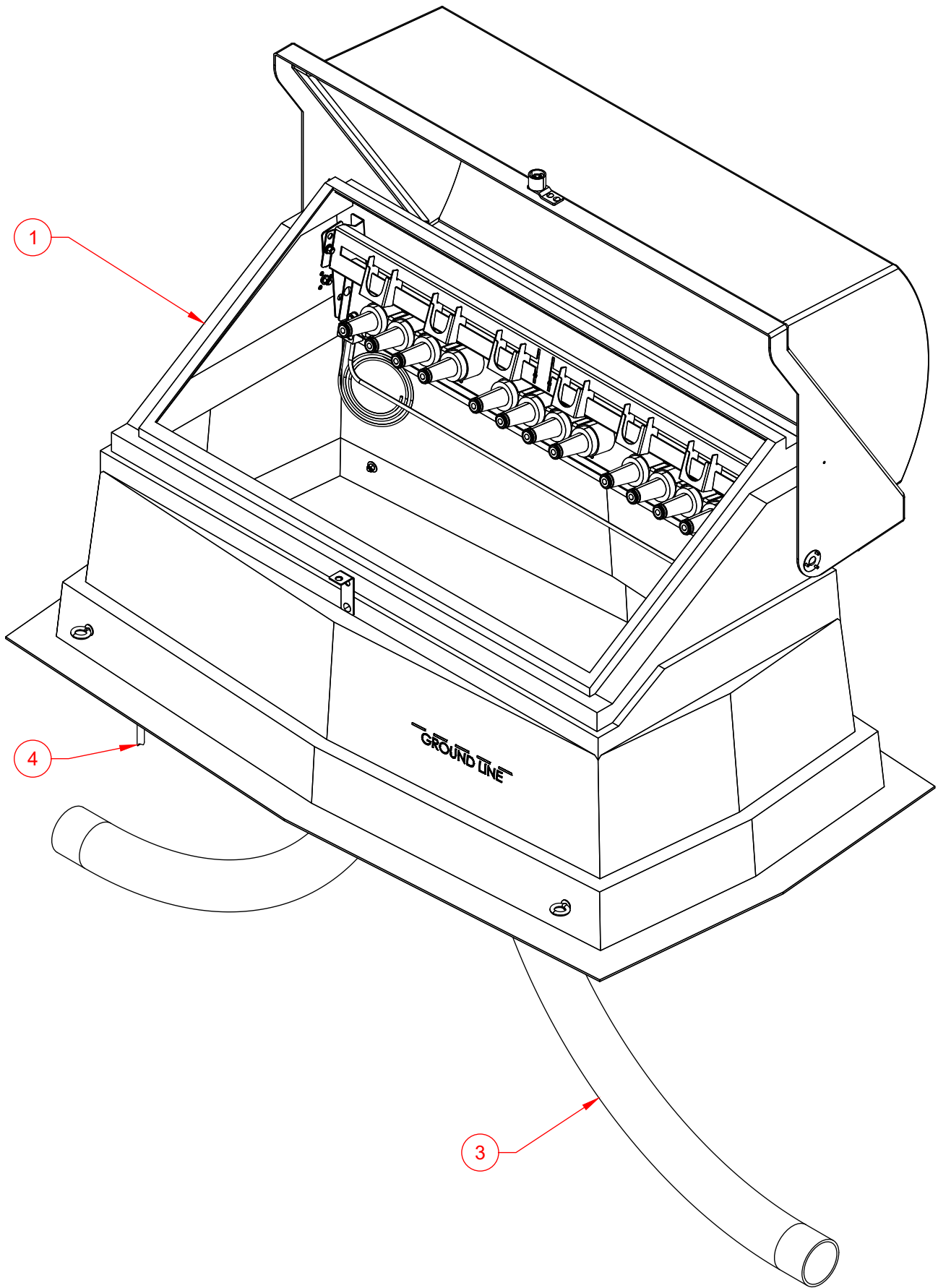
Sheet 5 of 5

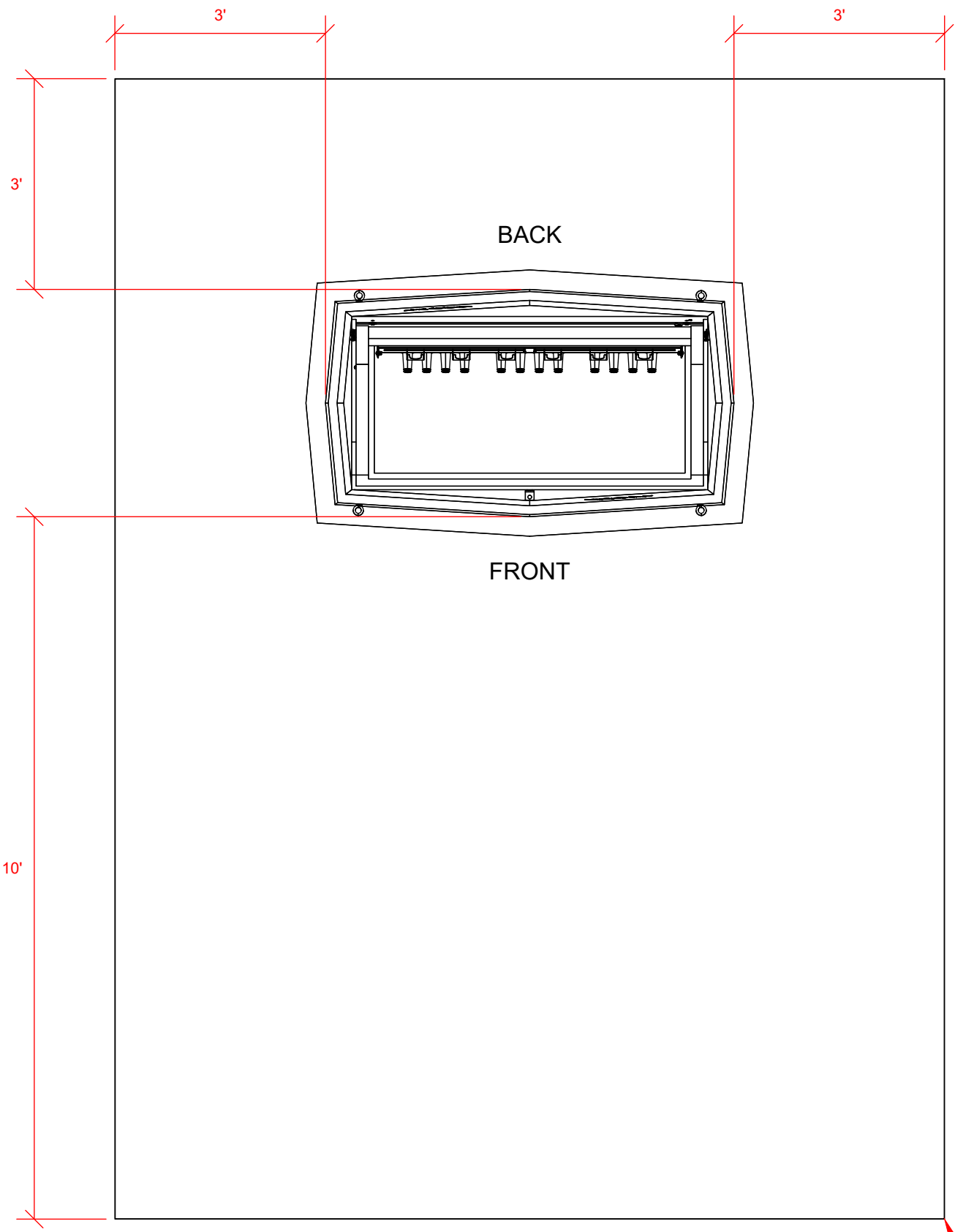


CONDUIT WINDOW

BACK







MINIMUM  
CLEARANCE  
TO OTHER  
OBSTRUCTIONS

Number	Item	Requirement	Provided By	Installed By	Maintained By
1	Sectionalizing Cabinet		Evergy	Customer	Evergy
2	Backfill	• Backfill compacted to ASTM standard # Backfill should include dome top for settling or compaction to 95% maximum density (Proctor-ASTM D698).	Customer	Customer	Customer
3	Bend Conduit	• Three Phase Conduit.	Customer (Initial)	Customer	Evergy
4	Grounding Electrode		Evergy	Customer	Evergy
5	Gravel AB3		Customer	Customer	Customer



EVERGY  
SERVICE  
STANDARDS

DRAWN  
DATE

4/7/2026

PFD EQUIPMENT  
SECTIONALIZING CABINET  
3P 200 AMP SURFACE MOUNT 15KV

**9550.42-321**

Sheet 5 of 5

## Key Contacts

### **Evergy Kansas Metro, Evergy Missouri Metro, Evergy Missouri West Contacts:**

- Customer care - 1-888-471-5275 from 7 am-5 pm on weekdays (except holidays)
- General Offices, Downtown Kansas City - (816) 556-2200
- For emergencies, power out or lines down, call toll-free – 1-888-544-4852 (1-888-LIGHT-KC)

### **Evergy Kansas Central Contacts:**

- Residential 1-800-383-1183
- Business 1-800-401-5666

### **Utility One Call:**

- Missouri – 1-800-344-7483 (1-800-DIG-RITE)
- Kansas – 811 or 1-800-344-7233 (1-800-DIG-SAFE)

### **Standards Representative:**

- Email: [servicestandards@evergy.com](mailto:servicestandards@evergy.com)